

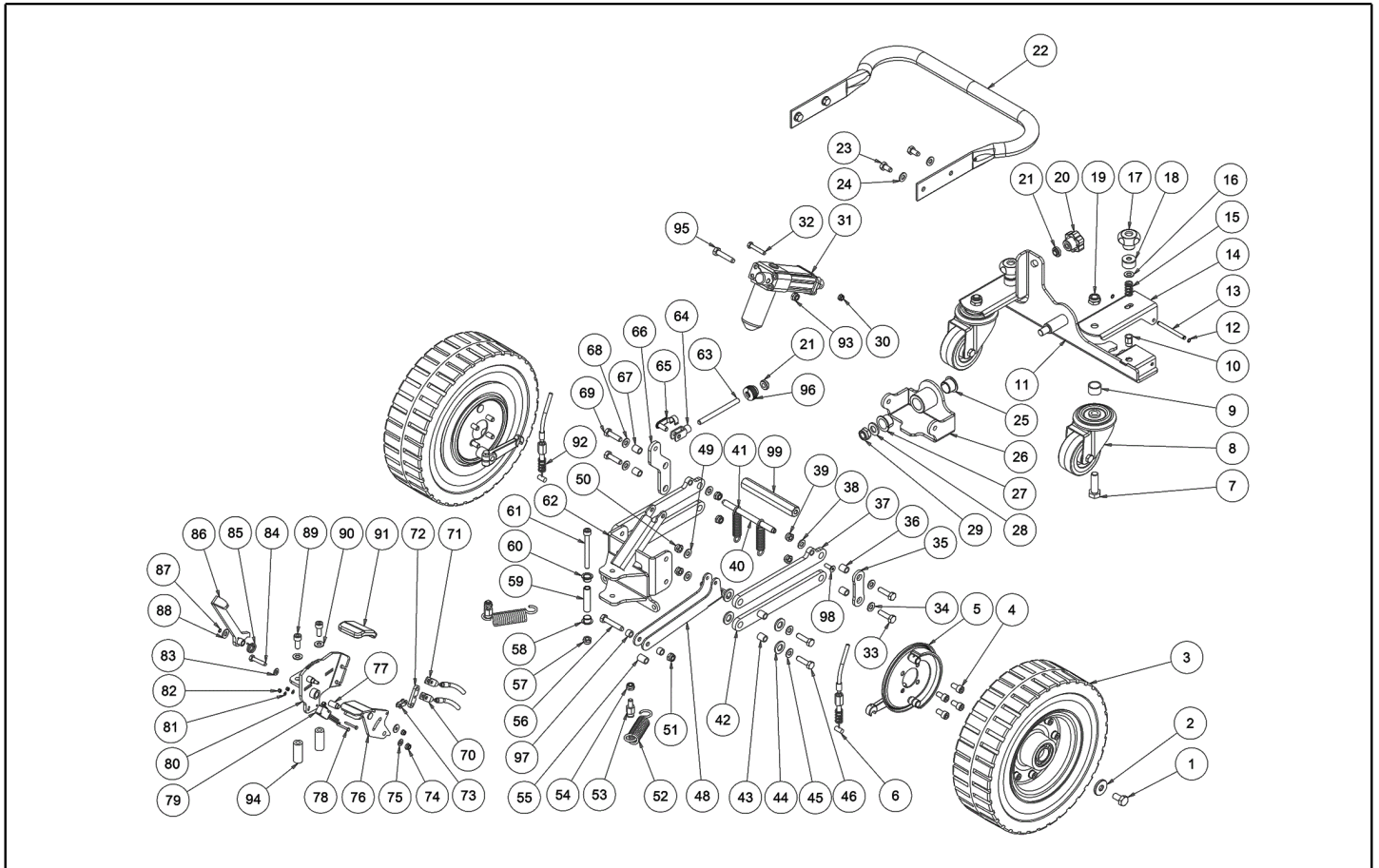


IPC

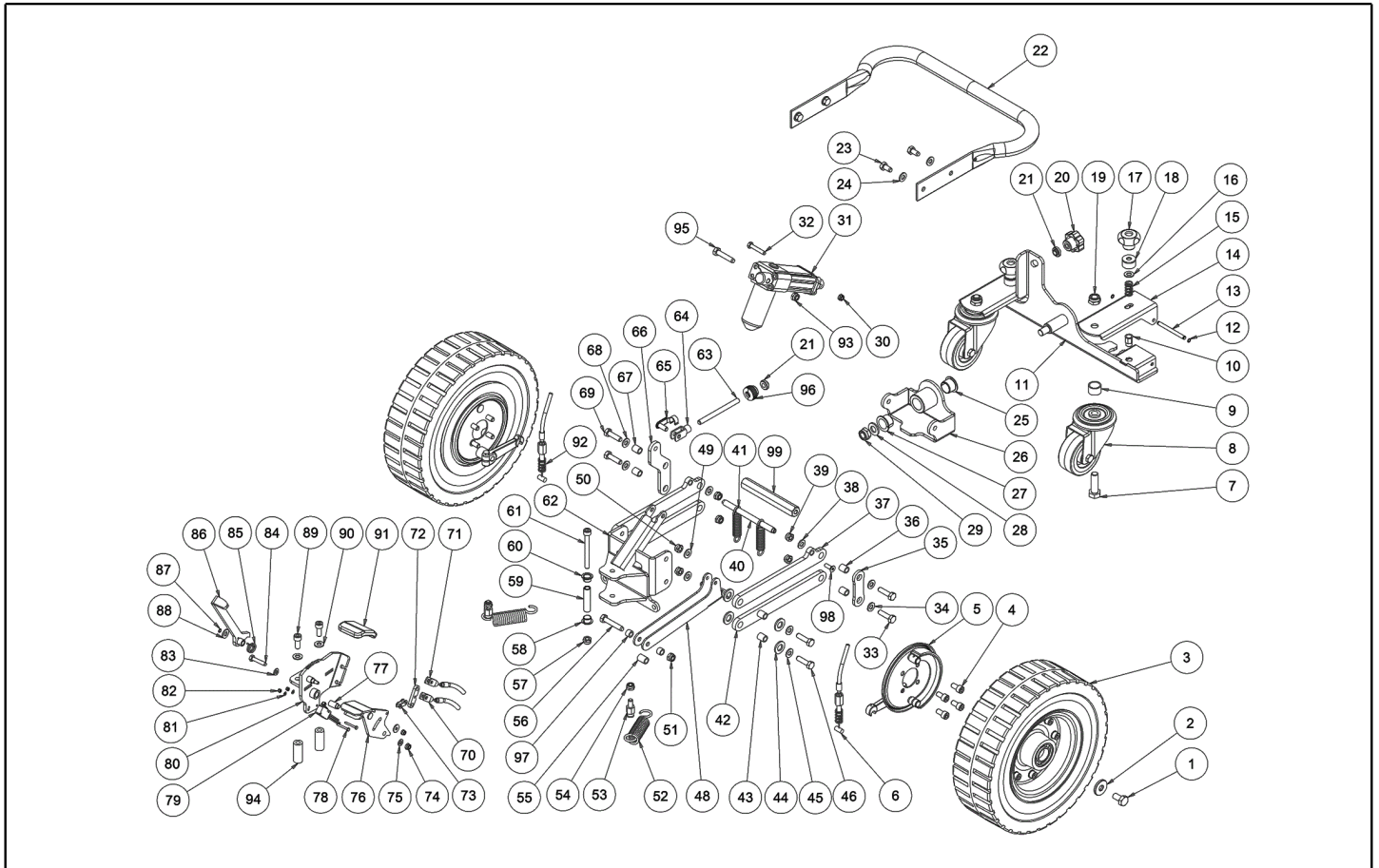
Spare parts list

Ref: LPTB01582

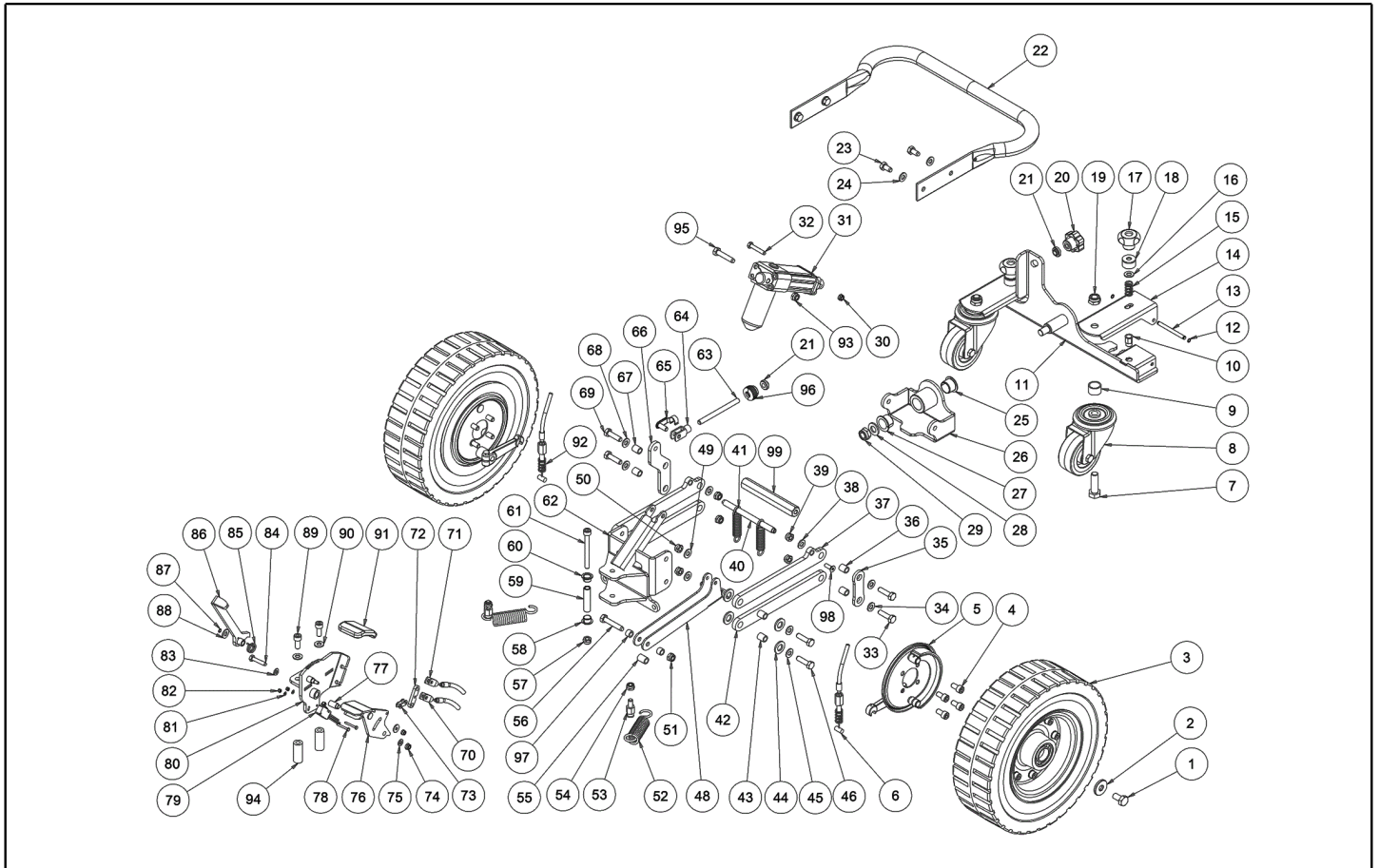
Model: FLOOR WASHER CT230 BT100R SW+CB+BAT+CD



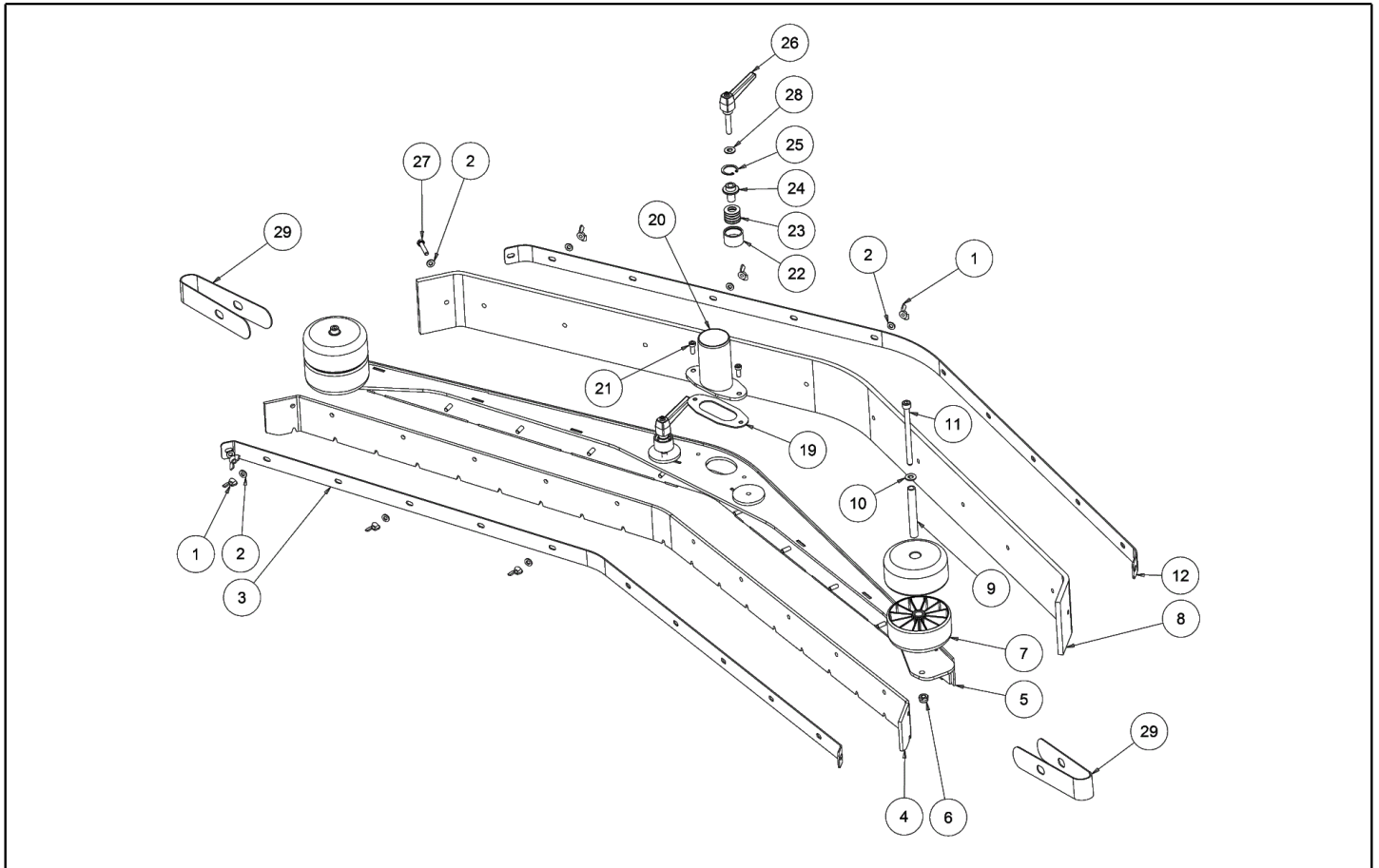
Ref. K	Part n.	Customer part n.	Description	Quantity	Validity		Price
					From	To	
0001	VTVT13936	SL04412	SCREW TE M 10X 20	2,00			--
0002	LAFN04144	SL07636	WASHER RUOTE POSTERIORI	2,00			--
0003	RTRT00538		WHEEL REAR 4.00-6 PU CT230	2,00			--
0004	VTVT00876	SL04397	SCREW TCEI M.8-16	8,00			--
0005	RTRT45090	1250073	BRAKE PORTACEPPO D.125 TK1400	2,00			--
0006	CMCV00335		CABLE 4x	1,00			--
0007	VTVT28885		SCREW TE M 12X 50 UNI 5739 INOX	2,00			--
0008	RTRT00396		WHEEL -	2,00		30/01/2014	--
0008	RTRT00518		WHEEL CASTOR D.80X30	2,00	31/01/2014		--
0009	LAFN09002		THICKNESS -	2,00			--
0010	VTVR00022	1105904	INSERT FILETTATO ESAGONALE M8	2,00			--
0011	LAFN08810		SUPPORT -	1,00			--
0012	VTAE48552	1105408	CIRCLIP ESTERNO DIN 471 D.6	4,00			--
0013	LAFN04150	SL07640	PIN BRACCIO RUOTA TERGI P185	2,00			--
0014	LAFN08993		ARM PORTARUOTA TERGI P185	2,00			--
0015	MLML00239	SL13144	SPRING PER RUOTE TERGI P185	2,00			--
0016	VTRS13947	75373	WASHER D. 8 INX UNI 6592	2,00			--
0017	VTVR35378	SL20002	HANDWHEEL F 8MAX20 D.40	2,00			--
0018	ABGO00042		VIBRATION DAMP. REGOLAZIONE TERGI CLT160	2,00			--
0019	VTDD00176	SL05092	NUT M.12 INOX A2 BASSO AUTOB.	2,00			--
0020	VTVT00207	70036	HANDWHEEL M8	1,00			--
0021	LAFN08811		BUSHING -	2,00			--
0022	LAFN06275		TUBE ROLL BAR POSTER.CLT160	1,00			--
0023	VTVT15916	SL04203	SCREW TE M 8X 16 UNI 5739 A2	4,00			--
0024	VTRS13947	75373	WASHER D. 8 INX UNI 6592	4,00			--
0025	CUVR44216	SL12037	BUSHING CB 85 2015 31T	1,00			--
0026	LAFN08812		BRACKET -	1,00			--
0027	CUVR44216	SL12037	BUSHING CB 85 2015 31T	1,00			--
0028	VTRS15978		WASHER D.12X24 UNI 6592 INX	1,00			--
0029	VTDD00176	SL05092	NUT M.12 INOX A2 BASSO AUTOB.	1,00			--
0030	VTDD01694	SL05074	NUT M6 INOX	1,00			--
0031	MOCC00394		ATUATOR	1,00			--
0032	VTVT00433		SCREW TE M 6X 30 UNI 5739 INX	1,00			--
0033	VTVT13937	11051230	SCREW TE M 8X 30 INX UNI 5739	2,00			--
0034	VTRS13947	75373	WASHER D. 8 INX UNI 6592	2,00			--
0035	LAFN08806		CONNECTING ROD -	1,00			--
0036	LAFN04151	SL07641	BUSHING X PARALLELOGRAMMA	2,00			--
0037	LAFN08804		SPACER -	2,00			--
0038	VTRS13947	75373	WASHER D. 8 INX UNI 6592	2,00			--
0039	VTDD01695	SL05039	NUT M 8 INX	2,00			--
0040	LAFN08808		PIN -	1,00			--
0041	MLML00022	22051019	SPRING GANCIO ARPIONE	2,00			--
0042	LAFN08805		ARM -	2,00			--
0043	LAFN04151	SL07641	BUSHING X PARALLELOGRAMMA	4,00			--



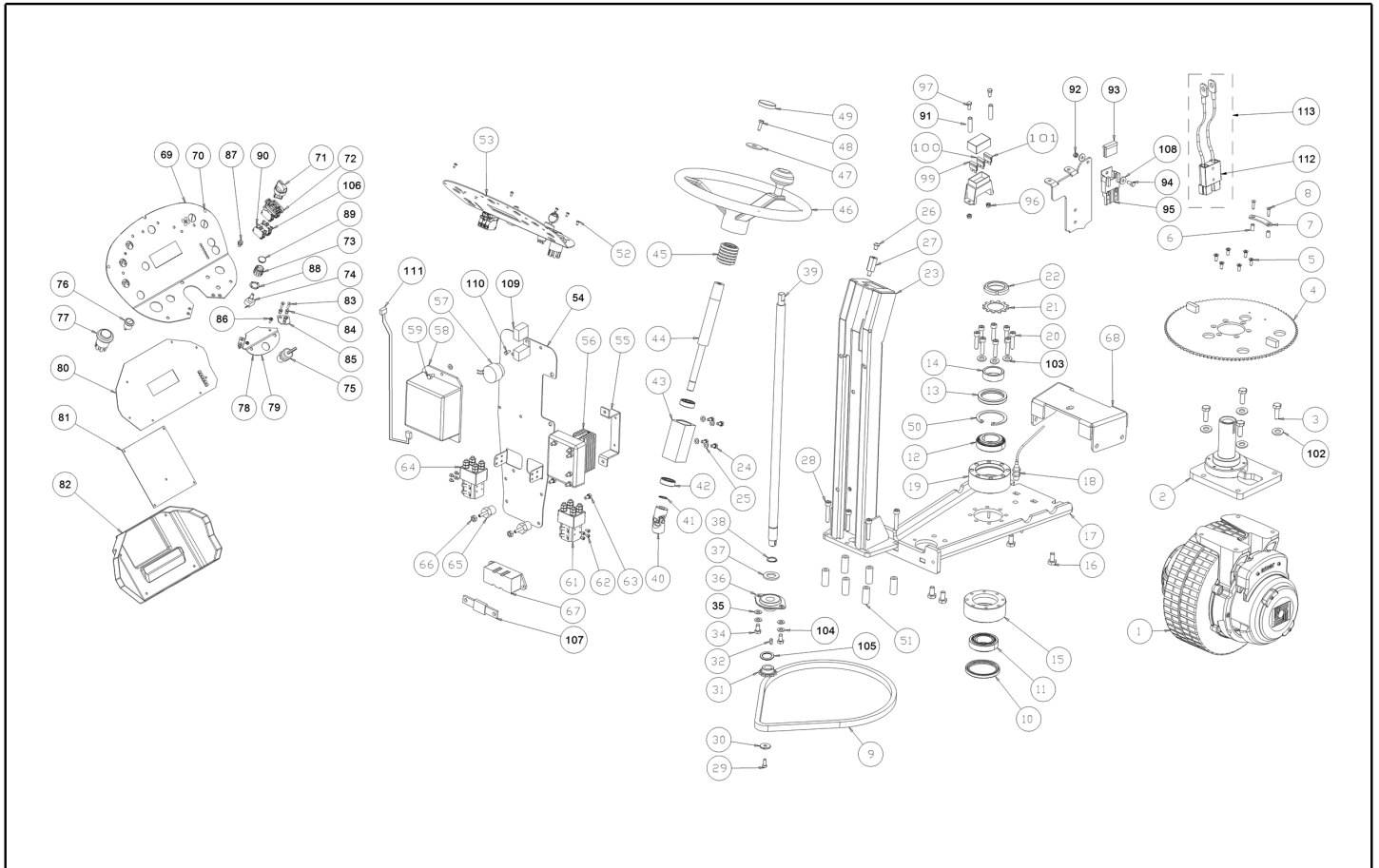
Ref. K	Part n.	Customer part n.	Description	Quantity	Validity		Price
					From	To	
0044	VTRS15978		WASHER D.12X24 UNI 6592 INX	8,00			--
0045	VTRS13947	75373	WASHER D. 8 INX UNI 6592	4,00			--
0046	VTVT01050		SCREW TE M 8X30 INX UNI 5737	4,00			--
0048	LAFN05777	SL39246	LEVER SOLLEVAMENTO TERGI	1,00			--
0049	VTRS13947	75373	WASHER D. 8 INX UNI 6592	4,00			--
0050	VTDD01695	SL05039	NUT M 8 INX	4,00			--
0051	VTDD01695	SL05039	NUT M 8 INX	1,00			--
0052	MLML00241	SL13146	SPRING TESTATA SPAZZOLA P185	2,00			--
0053	LAFN04143	SL07635	PIN FISSA MOLLA	2,00			--
0054	VTDD01695	SL05039	NUT M 8 INX	2,00			--
0055	LAFN04139	SL07631	SPACER SNODO TERGI	1,00			--
0056	VTVT15371	71051247	SCREW TE M 8X45 INOX A2 UNI	1,00			--
0057	VTDD01695	SL05039	NUT M 8 INX	1,00			--
0058	CUVR00130	SL12072	BEARING STRISCIAMENTO	1,00			--
0059	LAFN07879		BUSHING -	1,00			--
0060	CUVR00130	SL12072	BEARING STRISCIAMENTO	1,00			--
0061	VTVT01148		SCREW TCEI M8X70	1,00		14/04/2014	--
0061	VTVT01701		STUD BOLT M8X90	1,00	15/04/2014		--
0062	LAFN08809		ARTICULATION -	1,00			--
0063	CMCV00181	62270	TIE ROD M8X100	1,00			--
0064	CMCV00001	11051001	FORK UNI 1676 M8X16	1,00			--
0065	CMCV75718	11051101	CLIP UNI 1676 M8	1,00			--
0066	LAFN08807		CONNECTING ROD -	1,00			--
0067	LAFN04151	SL07641	BUSHING X PARALLELOGRAMMA	2,00			--
0068	VTRS15146	05519	WASHER D. 8 INX GRW UNI 1751	2,00			--
0069	VTVT00410	SL04127	SCREW TE M8x35 UNI5739 INOX	2,00			--
0072	LAFN05769	SL39238	BALANCER PER CAVI FRENO	1,00			--
0073	MTCR47037	1155001	JOINT 3/8 PER CATENA TK 1000	1,00			--
0074	VTDD15518	75375	NUT M 6 INX	1,00			--
0075	VTRS13945	SL06039	WASHER D. 6X18 INX UNI 6593	1,00			--
0076	LAFN05767	SL39236	ASSEMBLED PEDALE FRENO	1,00			--
0077	LAFN04142	SL07634	PIN PEDALE FRENO	1,00			--
0078	VTVT01350		SCREW M3-20 INOX	2,00			--
0079	MECI44780	1380067	MICROSWITCH IP67 OMRON D2VW-5L2A-1M	1,00			--
0080	LAFN05766	SL39235	SUPPORT PEDALE CPL	1,00			--
0081	VTRS21116	SL06009	WASHER D. 3 INX	4,00			--
0082	VTDD21115	SL05019	NUT M 3 INOX	2,00			--
0084	VTVT00433		SCREW TE M 6X 30 UNI 5739 INX	1,00			--
0085	MLML00237	SL13142	SPRING RICHIAMO PEDALE B.F. P185	1,00			--
0086	LAFN51019	SL39440	PEDALE BLOCCO	1,00			--
0087	VTAE14096	1105412	SEEGER ESTERNO DIN 471 D.8	1,00			--
0088	VTRS13947	75373	WASHER D. 8 INX UNI 6592	1,00			--
0089	VTVT01310		SCREW TCEI 8X60 INOX UNI5931	2,00			--
0090	VTRS13947	75373	WASHER D. 8 INX UNI 6592	2,00			--



Ref. K	Part n.	Customer part n.	Description	Quantity	Validity		Price
					From	To	
0091	MPVR45096	13201007	PEDAL COVER GRANDE V1021	1,00			--
0092	CMCV00334		CABLE 4x	1,00			--
0092	VTVT00708	SL04155	SCREW TE M. 8-40	1,00			--
0093	VTDD01695	SL05039	NUT M 8 INX	1,00			--
0094	LAFN08885		SPACER -	2,00			--
0095	VTVT00708	SL04155	SCREW TE M. 8-40	1,00			--
0096	MPVR05839		KNOB -	1,00			--
0097	LAFN04157	SL07647	BUSHING SNODO FINALE	2,00			--
0098	VTVT01317		SCREW M 5X 12 TSPEI UNI 5933	2,00			--
0099	LAFN09239		SPACER CT230	1,00	18/12/2012		--



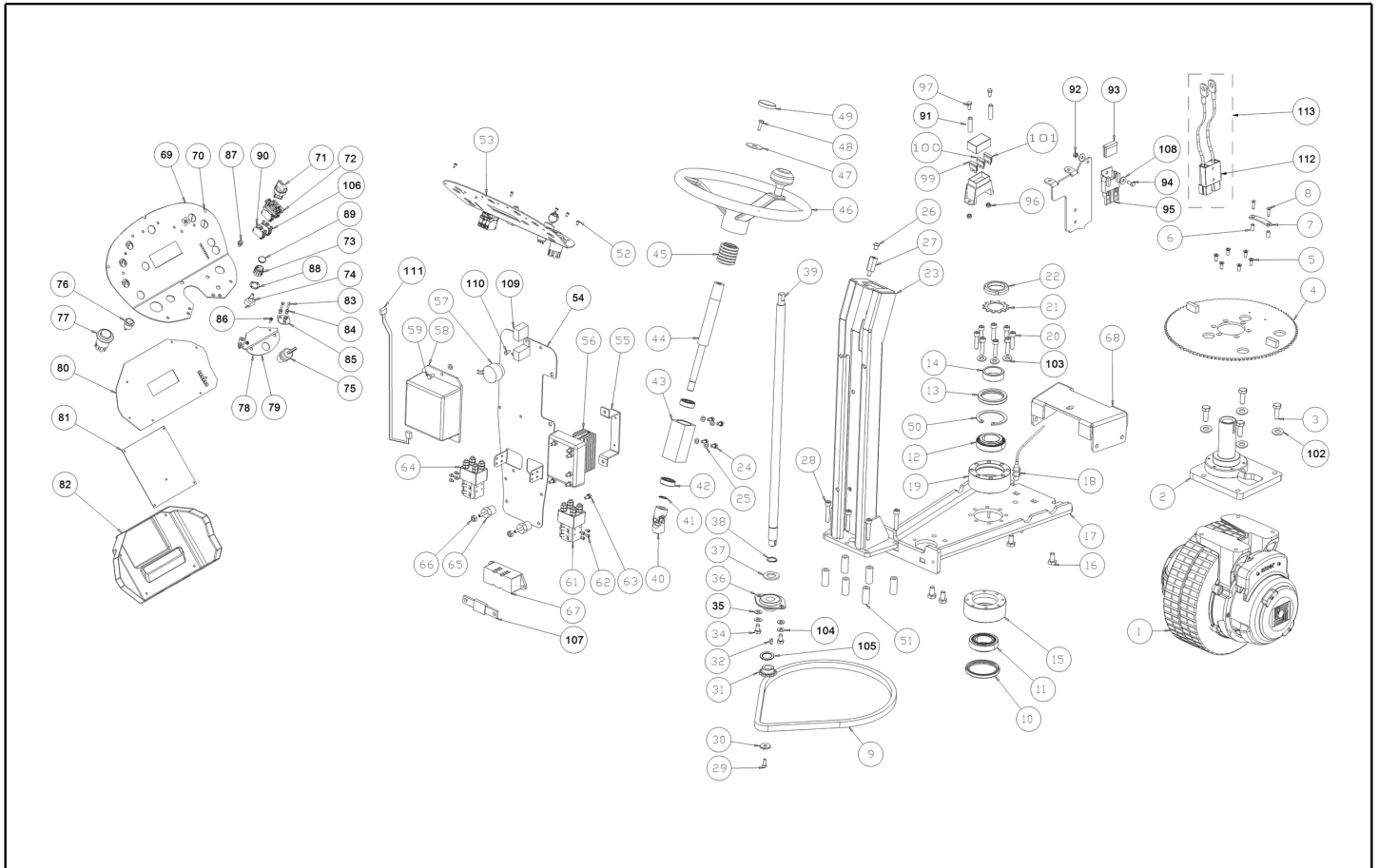
Ref. K	Part n.	Customer part n.	Description	Quantity	Validity		Price
					From	To	
0001	VTDD00171	SL05084	NUT M6 INOX	14,00			--
0002	VTRS00245	SL06022	WASHER D.6 UNI 6592 INOX	16,00			--
0003	LAFN08930		BRACKET -	1,00			--
0004	MPVR05885		BLADE SQUEEGEE FRONT CT230-105	1,00			--
0005	LAFN08929		FLOOR WIPER -	1,00			--
0006	VTDD01695	SL05039	NUT M 8 INX	2,00			--
0007	RTRT00510		WHEEL ANTIRIBALTAMENTO	4,00			--
0008	MPVR05886		BLADE SQUEEGEE REAR LATEX CT230	1,00			--
0009	LAFN04127	SL07620	PIN RULLO PARACOLPI	2,00			--
0010	VTRS13946	SL06025	WASHER D. 8 X24 INX UNI 6593	2,00			--
0011	VTVT67560	SL04422	SCREW TCEI M8X110 INOX AISI 304	2,00			--
0012	LAFN08931		BRACKET -	1,00			--
0019	GUGO06700	SL03663	GASKET SQUEEGEE	1,00			--
0020	LAFN08938		CONNECTOR -	1,00			--
0021	VTVT00717	SL04172	SCREW TCEI M. 6-16	2,00			--
0022	LAFN04137	SL07629	CONTAINER MOLLE A TAZZA	2,00			--
0023	MLML00245	SL13150	SPRING A TAZZA	12,00			--
0024	LAFN04121	SL07614	PIN MOLLE A TAZZA	2,00			--
0025	VTAE13513	SL11133	CIRCLIP D. 26 UNI 7437	2,00			--
0026	CHVR00500		HANDLE A RIPRESA M8x40	2,00			--
0027	VTVT00433		SCREW TE M 6X 30 UNI 5739 INX	2,00			--
0028	VTRS13947	75373	WASHER D. 8 INX UNI 6592	2,00			--
0029	MPVR06002		DUCT LOCK FLAP CT230	2,00			--



Ref. K	Part n.	Customer part n.	Description	Quantity	Validity		Price
					From	To	
0001	MOCC00385		DRIVE ASSEMBLY -	1,00			--
0001	MOCC00407		MOTOR ELECTRIC TRAC.-WHEEL 230	1,00			--
0001	MEVR34439	RP34439	CARBON 10X18X19	4,00			--
0001	RTRT00442		WHEEL PU BLUE CT230 300x100	1,00			--
0002	LAFN06994		SPACER -	1,00			--
0003	VTVT01541		SCREW TE M 10x30 INOX UNI5739	4,00			--
0004	LAFN06995		BRAKE -	1,00			--
0005	VTVT13940	SL04015	SCREW M 6X 20 TSPEI UNI 5933	6,00			--
0006	LAFN03742	SL07164	SPACER SILENZIATORE	2,00			--
0007	LAFN08836		BRACKET -	1,00			--
0008	VTVT15962	SL04375	SCREW M 5X 25 TSPEI UNI 5933	2,00			--
0009	MTCR00085	SL16044	CHAIN 3/8"	1,00			--
0010	PVVR00044		GASKET	1,00			--
0011	CUVR00187		BEARING -	1,00			--
0012	CUVR00187		BEARING -	1,00			--
0013	PVVR00045		GASKET	1,00			--
0014	LAFN08828		BUSHING -	1,00			--
0015	LAFN08830		BUSHING -	1,00			--
0016	VTVT13936	SL04412	SCREW TE M 10X 20	4,00			--
0017	LAFN06993		PLATE -	1,00			--
0018	MECI00535		SENSOR -	1,00			--
0019	LAFN08829		RING -	1,00			--
0020	VTVT01310		SCREW TCEI 8X60 INOX UNI5931	8,00			--
0021	VTRS00572		WASHER -	1,00			--
0022	VTVR00563		RING NUT -	1,00			--
0023	LAFN05787	SL39256	ASSEMBLED PIANTONE	1,00			--
0024	VTVT15906	SL04180	SCREW TE 6X 12 A2 UNI 5739	4,00			--
0025	VTRS00245	SL06022	WASHER D.6 UNI 6592 INOX	4,00			--
0026	VTVT47025	1105232	SCREW TBCE ISO 7380 10X16 ZB	1,00			--
0027	LAFN00474	22301022	PIN FISS.COFANURE SIRIO L.45	1,00			--
0028	VTVT01310		SCREW TCEI 8X60 INOX UNI5931	6,00			--
0029	VTVT00717	SL04172	SCREW TCEI M. 6-16	1,00			--
0030	LAFN04134	SL07624	WASHER PIGNONE STERZO	1,00			--
0031	MTCR00070	SL10096	PINION ALBERO STERZO P185	1,00			--
0032	VTVR00229	SL11130	KEY 5X5X12	1,00			--
0034	VTVT15916	SL04203	SCREW TE M 8X 16 UNI 5739 A2	2,00			--
0035	VTRS13947	75373	WASHER D. 8 INX UNI 6592	2,00			--
0036	CUVR00105	SL12031	SUPPORT	1,00			--
0037	LAFN07029		SPACER -	1,00			--
0038	VTAE06193	RP06193	CIRCLIP D. 20 UNI 7435	1,00			--
0039	LAFN08820		SHAFT -	1,00			--
0040	VTVR00057	1255008	ARTICULATION CARDANICO	1,00			--
0041	VTAE17003	1105405	CIRCLIP ESTERNO DIN 471 D.15	1,00			--
0042	CUVR17004	SL12018	BALL BEARING 6202 -2RS1	2,00			--

Table: TRACTION MOTOR

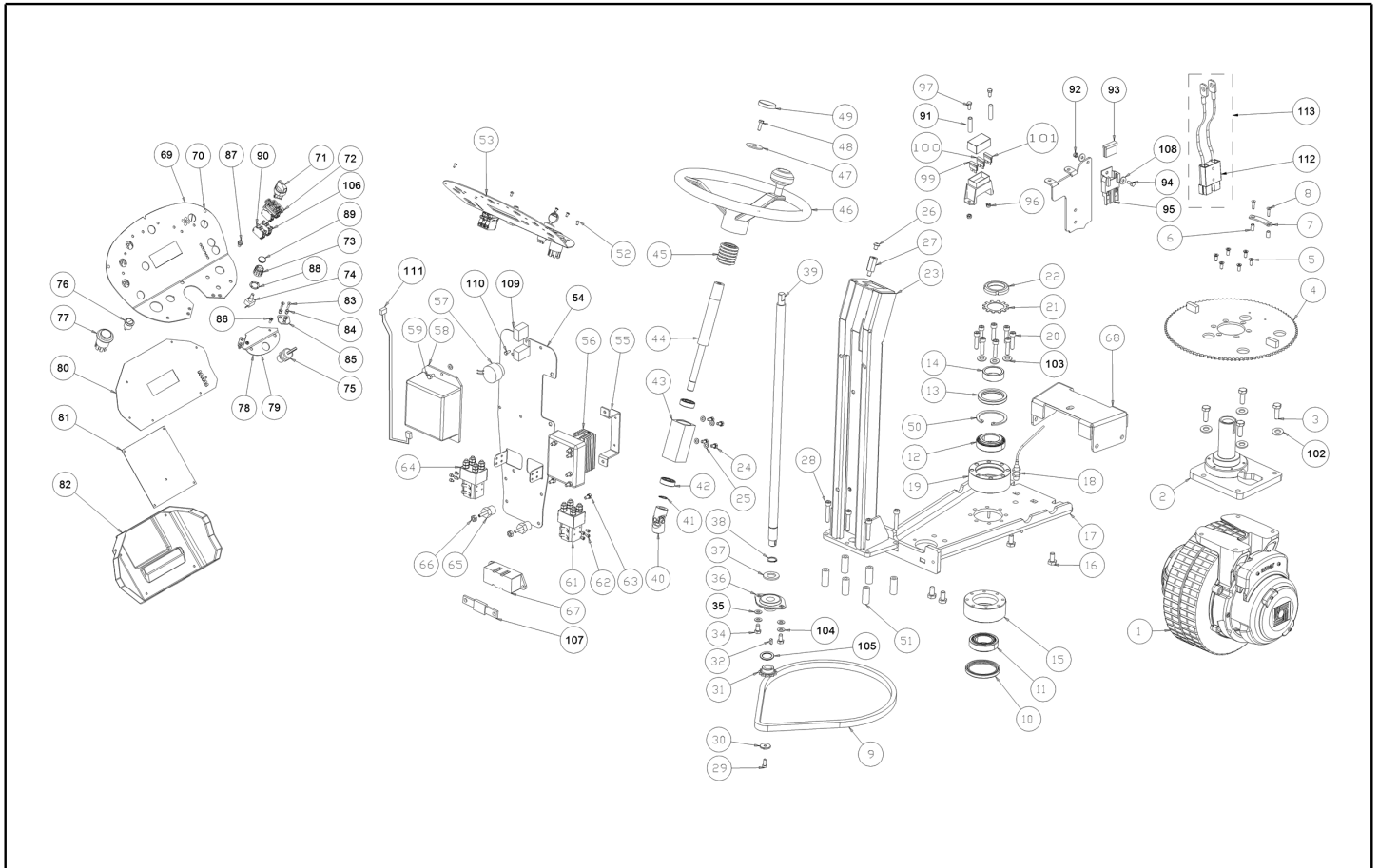
Progressive number: 1



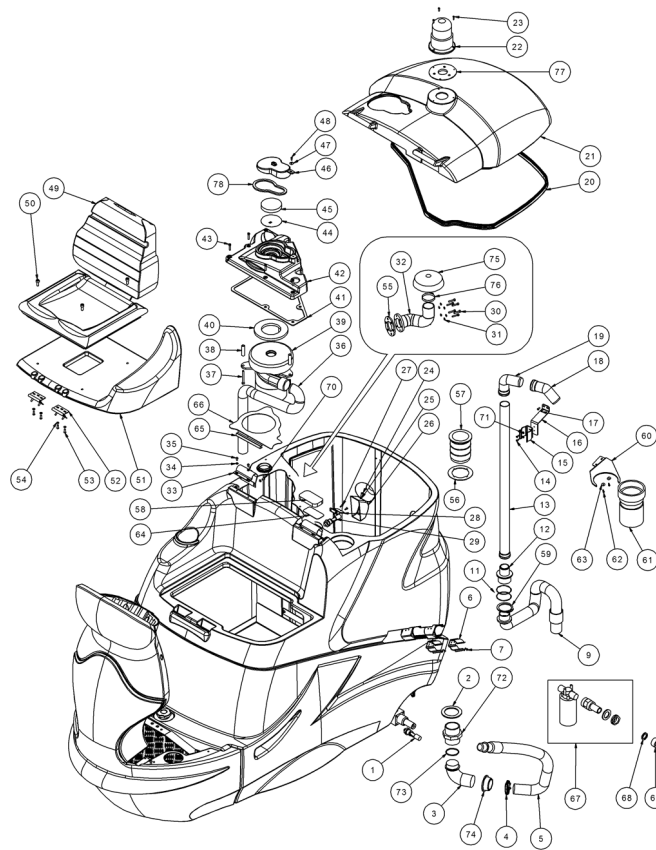
Ref. K	Part n.	Customer part n.	Description	Quantity	Validity		Price
					From	To	
0043	LAFN04133	SL07623	HUB ALBERO STERZO	1,00			--
0044	LAFN04076	SL07570	SHAFT STERZO SUPERIORE P185	1,00			--
0045	MPVR51068		PROTECTOR STERZO CLT 160	1,00			--
0046	MPVR01517	70404	STEERING WHEEL	1,00			--
0047	VTRS44254	1105329	WASHER UNI 6593 10X40X2,5 ZB	1,00			--
0048	VTVT47025	1105232	SCREW TBCE ISO 7380 10X16 ZB	1,00			--
0049	MPVR47026	13201002	CAP PER VOLANTE	1,00			--
0050	VTAE00081		CIRCLIP -	1,00			--
0051	LAFN08885		SPACER -	6,00			--
0052	VTVT00881	SL04403	SCREW TC+ M4x6 TRILOBATA INOX	4,00			--
0053	MECE00522		BOARD PANEL CT160-CT230 CURTIS	1,00			--
0054	LAFN08876		SUPPORT -	1,00			--
0055	LAFN08877		SUPPORT -	1,00			--
0056	MECE00526		BOARD POWER SERVICE CT160-CT230	1,00			--
0057	MEVR01436	SL53067	BUZZER -	1,00			--
0058	MECE00525		BOARD TRACTION CURTIS 36V 160A	1,00			--
0059	VTVT07725	SL04152	SCREW TE 5X16 UNI5739 INX	3,00			--
0061	METT00086		CONTACTOR 100A	1,00			--
0062	VTVT00881	SL04403	SCREW TC+ M4x6 TRILOBATA INOX	4,00			--
0063	VTVT15906	SL04180	SCREW TE 6X 12 A2 UNI 5739	2,00			--
0064	METT00086		CONTACTOR 100A	1,00			--
0065	MEVR47082	1380091	INSULATOR MM35 M6 CH 32	2,00			--
0067	MEVR00146	1380151	FUSE-HOLDER MEGA	1,00			--
0068	LAFN08813		PLATE -	1,00			--
0069	ETET01663		LABEL -	1,00			--
0070	LAFN08851		SUPPORT -	1,00			--
0071	MEVR02011		SELECTOR -	1,00			--
0072	MEVR02038		SUPPORT -	1,00			--
0073	MEVR01575		CAP 2202	1,00			--
0074	MEVR01941		POTENTIOMETER 100K	1,00			--
0075	MECI75805	13801001	SWITCH A CHIAVE X MOTORI BATTER.	1,00			--
0076	MECI00556		SWITCH -	1,00			--
0077	MECI00028	13801009A	BUTTON DI EMERGENZA TK1400 24V	1,00			--
0078	ETET01664		LABEL -	1,00			--
0079	LAFN08869		SUPPORT -	1,00			--
0080	MECE00531		BOARD DISPLAY CT160-CT230	1,00			--
0081	MECE00532		BOARD LOGIC CT160-CT230 CURTIS	1,00			--
0082	MPVR05840		COVER -	1,00			--
0083	VTVT16939	SL04401	SCREW M 4X 16 TSPEI UNI 5933	4,00			--
0084	VTVR00306		INSERT FILETTATO ESAGONALE M5	6,00			--
0085	LAFN08870		BRACKET -	2,00			--
0086	VTVT15965	SL04346	SCREW TCB-TC 4X12 UNI7687 INX	2,00			--
0087	MEVR01974		LED DIAGNOSTIC CURTIS BOARD	1,00			--
0088	MEVR01574		RING NUT 2204	1,00			--

Table: TRACTION MOTOR

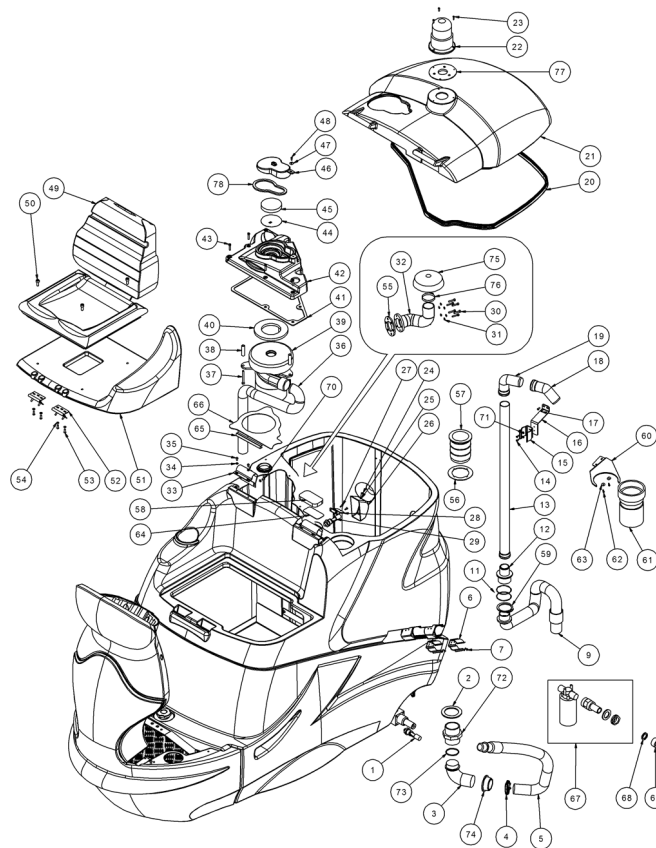
Progressive number: 1



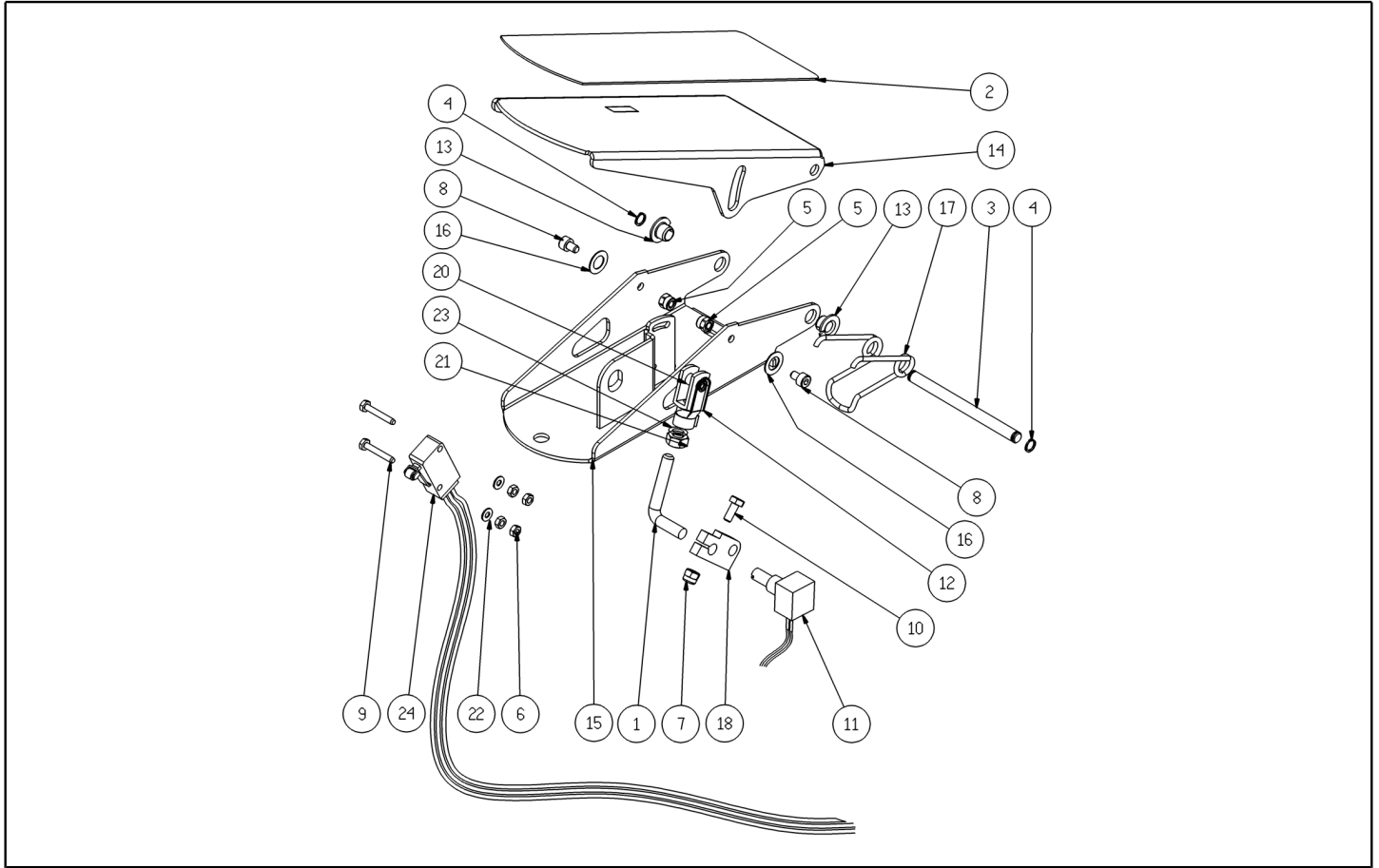
Ref. K	Part n.	Customer part n.	Description	Quantity	Validity		Price
					From	To	
0089	MEVR01573		SMALL KNOB 2200 V6	1,00			--
0090	MEVR02012		CONTACT -	2,00			--
0091	LAFN06735		SPACER 6-8 H31.5	2,00			--
0092	VTDD01693	SL05087	NUT M 5 INX	1,00			--
0093	MEVR02048		FUSE 40A	1,00		24/10/2011	--
0093	MEVR00644	70652	FUSE MAXIVAL 30A	1,00	25/10/2011		--
0094	VTVT01300		SCREW TE M5X12 INOX	1,00			--
0095	MEVR00613	70354	FUSE CARRIER MAXIVAL with cover	1,00			--
0096	VTDD01693	SL05087	NUT M 5 INX	2,00			--
0097	VTVT15926		SCREW TE 5X40 UNI5739 INOX	2,00			--
0099	MEVR31185	RP31185	FUSE 3 A VL	1,00			--
0100	MEVR01559		FUSE RESETTABLE 4A -ETA-	1,00			--
0101	MEVR01559		FUSE RESETTABLE 4A -ETA-	1,00			--
0102	VTRS15523	11051234	WASHER D.10 X21 INOX UNI 6592	4,00			--
0103	VTRS13947	75373	WASHER D. 8 INX UNI 6592	8,00			--
0104	VTRS15146	05519	WASHER D. 8 INX GRW UNI 1751	2,00			--
0105	LAFN07030		SPACER -	1,00			--
0106	MEVR02039		CONTACT -	2,00			--
0107	MEVR01925		FUSE 150A	1,00			--
0108	VTRS00516	SL06034	WASHER D. 5 INX	2,00			--
0109	MECE00456		RELAY CT110	1,00	25/10/2011		--
0110	VTVT01300		SCREW TE M5X12 INOX	1,00	25/10/2011		--
0111	MECB01319		WIRING CURTIS	1,00	18/12/2012		--
0112	MEVR01148	SL23184	SOCKET CONNECTOR 175 A GRIGIO	1,00			--
0113	MECB07611		PLUG	1,00			--



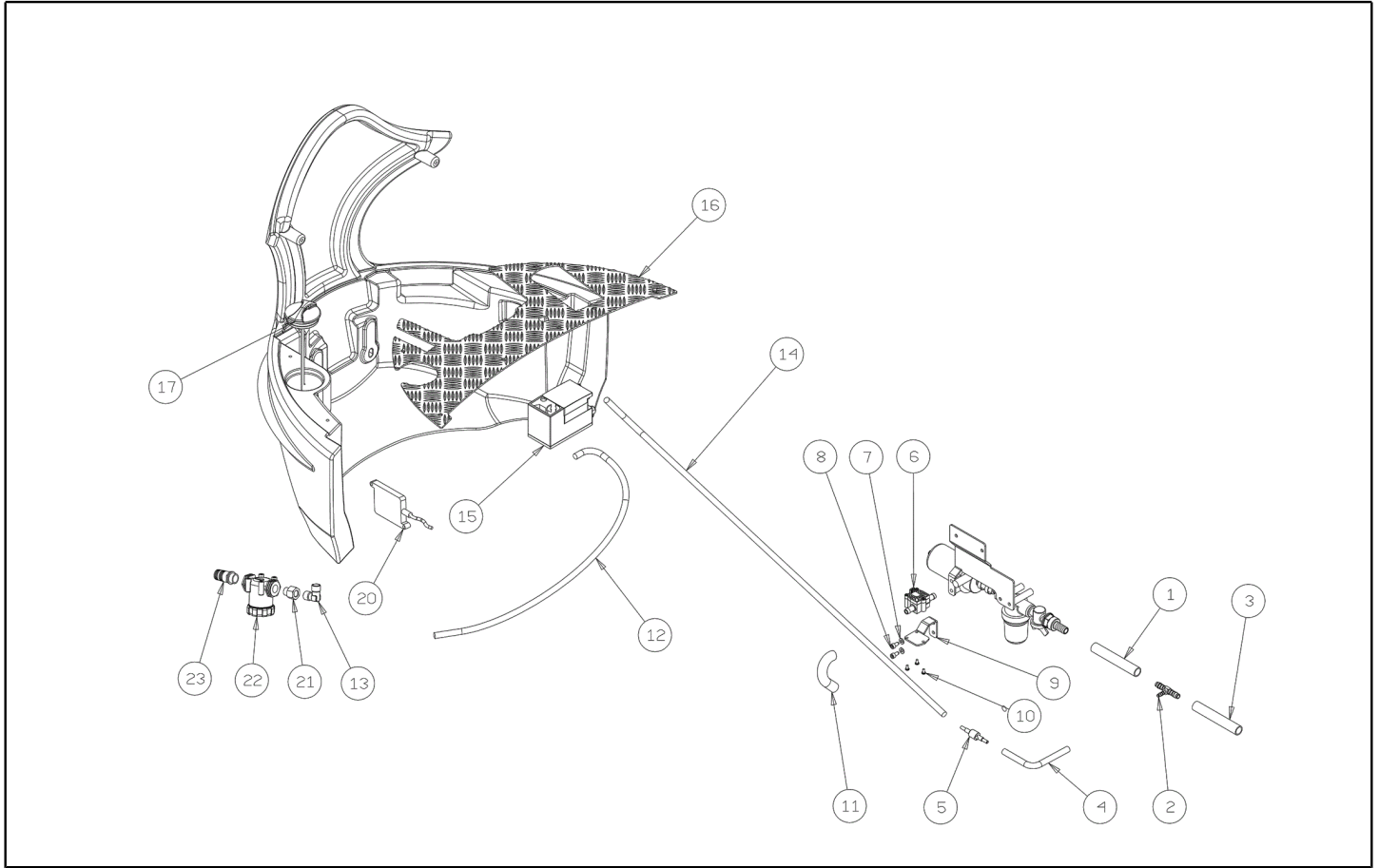
Ref. K	Part n.	Customer part n.	Description	Quantity	Validity		Price
					From	To	
0001	MECI00533		SENSOR VS303-51N	1,00			--
0002	GUGO00216	SL03416	GASKET ACQUA SPORCA	1,00			--
0003	RCVR00718		CONNECTOR M12X1,5	1,00		17/07/2011	--
0003	RCVR00774		CONNECTOR 90°	1,00	18/07/2011		--
0004	FSVR00095	SL14099	CLAMP 30-45	1,00			--
0005	TBBP00391		TUBE -	1,00			--
0006	MPVR46988	SL13118	CLIP LAV. SHK	2,00			--
0007	VTVT15965	SL04346	SCREW TCB-TC 4X12 UNI7687 INX	4,00			--
0009	TBFX00300		TUBE	1,00		26/05/2013	--
0009	KTRI04701		KIT REPLACEMENT TBFX00364	1,00	27/05/2013		--
0011	GUGO00445		O-RING -	2,00			--
0012	LAFN07017		CONNECTOR -	1,00			--
0013	TBBP00480		TUBE -	1,00			--
0014	VTVT00817	SL04323	SCREW TE M4x12 UNI 5739 INOX	2,00			--
0015	FSVR44166	SL13045	HOSE CLIP D.50	1,00			--
0016	LAFN07009		BRACKET -	1,00			--
0017	VTVT15961	SL04108	SCREW M 5X 16 TCB TC UNI 7687	2,00			--
0018	RCVR00765		CONNECTOR -	1,00			--
0019	RCVR00764		CONNECTOR -	1,00			--
0020	GUVR00268		GASKET CT230	1,00			--
0021	MPVR05026		COVER RECOVERY TANK LID CT230	1,00			--
0022	MELF00040	SL53058	FLASHING LIGHT	1,00		03/12/2013	--
0022	MELF00053		LAMP -	1,00	04/12/2013		--
0023	VTVT00752	SL04223	SCREW TC+ M.4,8-19	3,00			--
0024	VTVT01150		SCREW 4x10	1,00			--
0025	VTRS00570		WASHER -	1,00			--
0026	MPVR05596		PROTECTION -	1,00			--
0027	VTVT07725	SL04152	SCREW TE 5X16 UNI5739 INX	2,00			--
0028	LAFN08835		BRACKET -	1,00			--
0029	MECI00566		SENSOR -	1,00			--
0030	VTVT07725	SL04152	SCREW TE 5X16 UNI5739 INX	6,00			--
0031	VTRS00516	SL06034	WASHER D. 5 INX	6,00			--
0032	MPVR05025		TUBE -	1,00		14/11/2011	--
0032	MPVR06012		TUBE CT230	1,00	15/11/2011		--
0033	LAFN06998		HINGE -	2,00			--
0034	VTRS13750	SL06038	WASHER D. 5X14 INX	8,00			--
0035	VTVT00805	SL04310	SCREW TBEI M. 5-10	4,00			--
0036	TBFX00344		TUBE CT230	1,00			--
0037	VTVT01310		SCREW TCEI 8X60 INOX UNI5931	3,00			--
0038	LAFN03760	SL07195	SPACER RUOTA	3,00			--
0039	MOCC00271		MOTOR ASPIR.BIST.36V E-12416-2	1,00			--
0040	GUGO00272	SL03648	GASKET VACUUM MOTOR CT	1,00			--
0041	GUVR00269		GASKET -	1,00			--
0042	MPVR05027		COVER	1,00			--



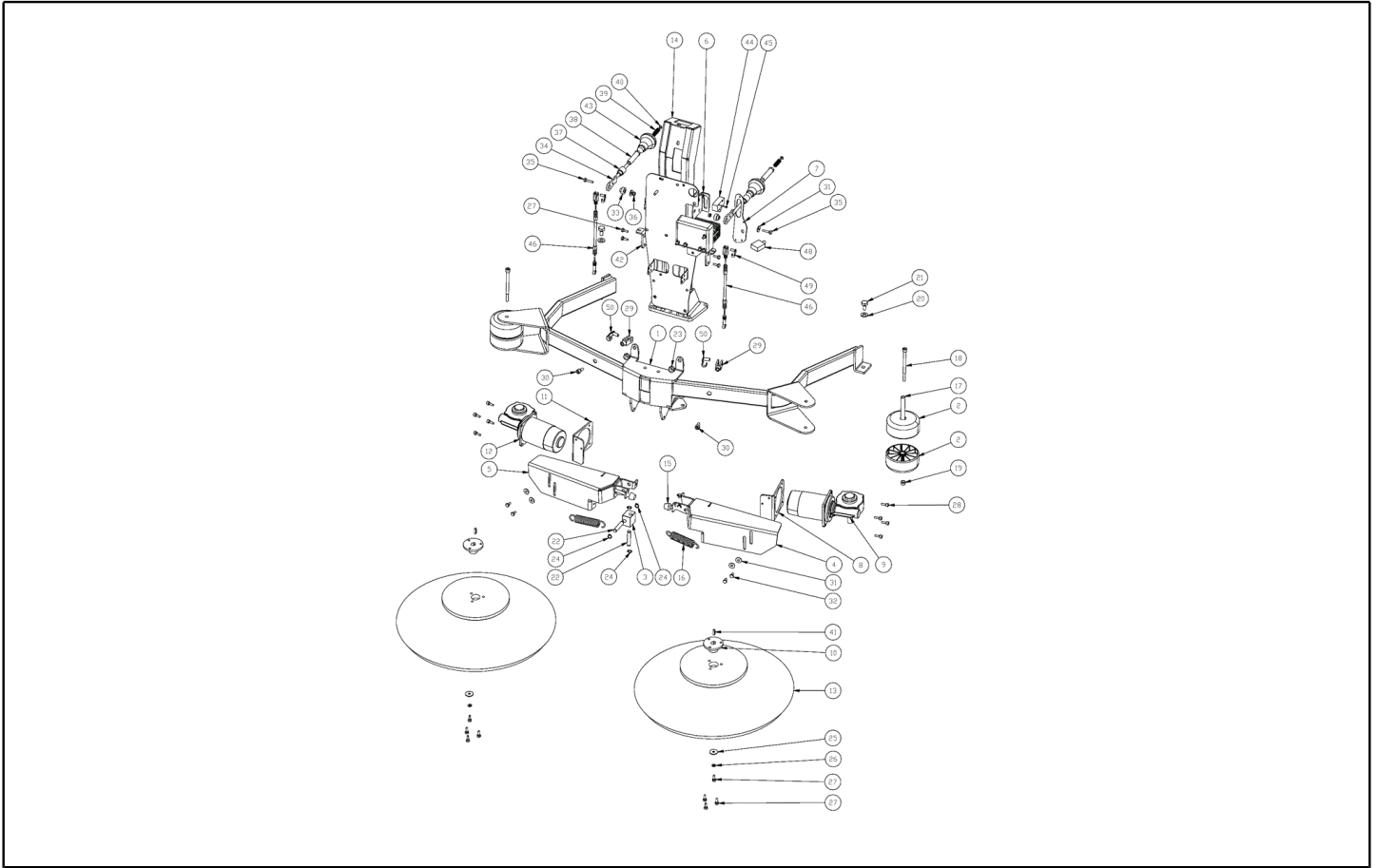
Ref. K	Part n.	Customer part n.	Description	Quantity	Validity		Price
					From	To	
0043	VTVT00657	SL04063	SCREW TCEI M. 5-30	5,00			--
0044	LAFN06999		NET -	1,00			--
0045	FTDP00186		FILTER	1,00			--
0046	MPVR05031		CAP -	1,00			--
0047	VTRS00251	SL06031	WASHER 4-16 INOX A2	1,00			--
0048	VTVT15965	SL04346	SCREW TCB-TC 4X12 UNI7687 INX	1,00			--
0049	SESD45981	13201011	SEAT SC73 01.01.M4 PER TK1400	1,00			--
0050	VTVT13938	75362	SCREW TE 8X20 UNI5739 INX	2,00			--
0051	MPVR05029		COVER UNDER SEAT CT230	1,00			--
0052	CEVR00060	SL14379	HINGE PORTA SEDILE P185	2,00			--
0053	VTVT01300		SCREW TE M5X12 INOX	8,00			--
0054	VTRS13750	SL06038	WASHER D. 5X14 INX	8,00			--
0055	GUGO00307		GASKET TENUTA TAPPO	1,00			--
0056	GUGO00267	SL03627	GASKET FILTRO	1,00			--
0057	FTAC48857	SL03526	FILTER ASP. ACQUA SERB. LAVAP.	1,00			--
0058	GUVR01010		GASKET -	1,00			--
0059	VTAE00082		CIRCLIP D. 50 UNI 7435	1,00			--
0060	LAFN08976		BRACKET -	1,00			--
0061	KTRI15043		WATER FILTER DIRTY INLET TANK	1,00			--
0062	VTVT00727	SL04189	SCREW TE M. 4-20	2,00			--
0063	VTRS00251	SL06031	WASHER 4-16 INOX A2	2,00			--
0064	LAFN09008		SHEET METAL PA. -	1,00			--
0065	KTRI02014		KIT -	1,00			--
0066	LAFN08923		BULKWARD -	1,00			--
0067	RCVR00766		SENSOR ACQUASTOP AUTO FILLING	1,00			--
0068	GUVR01011		GASKET 1/2"	1,00			--
0069	RCVR00103	11760	JOINT R 1/2"	1,00			--
0070	VTVT01300		SCREW TE M5X12 INOX	4,00			--
0071	VTRS00515	SL06032	WASHER D. 4 INX	2,00			--
0072	RCVR00778		NIPPLE 1"1/2	1,00	18/07/2011		--
0073	GUGO00319		O-RING 1"1/2	1,00	18/07/2011		--
0074	RCVR00776		CONNECTION 1" 1/2	1,00	18/07/2011		--
0075	MPVR06015		COVER -	1,00	15/11/2011		--
0076	FSVR00033	70616	CLAMP 45-60	1,00	15/11/2011		--
0077	MPVR06103		BRACKET -	1,00	04/12/2013		--
0078	GUVR00320		GASKET -	1,00	10/11/2014		--



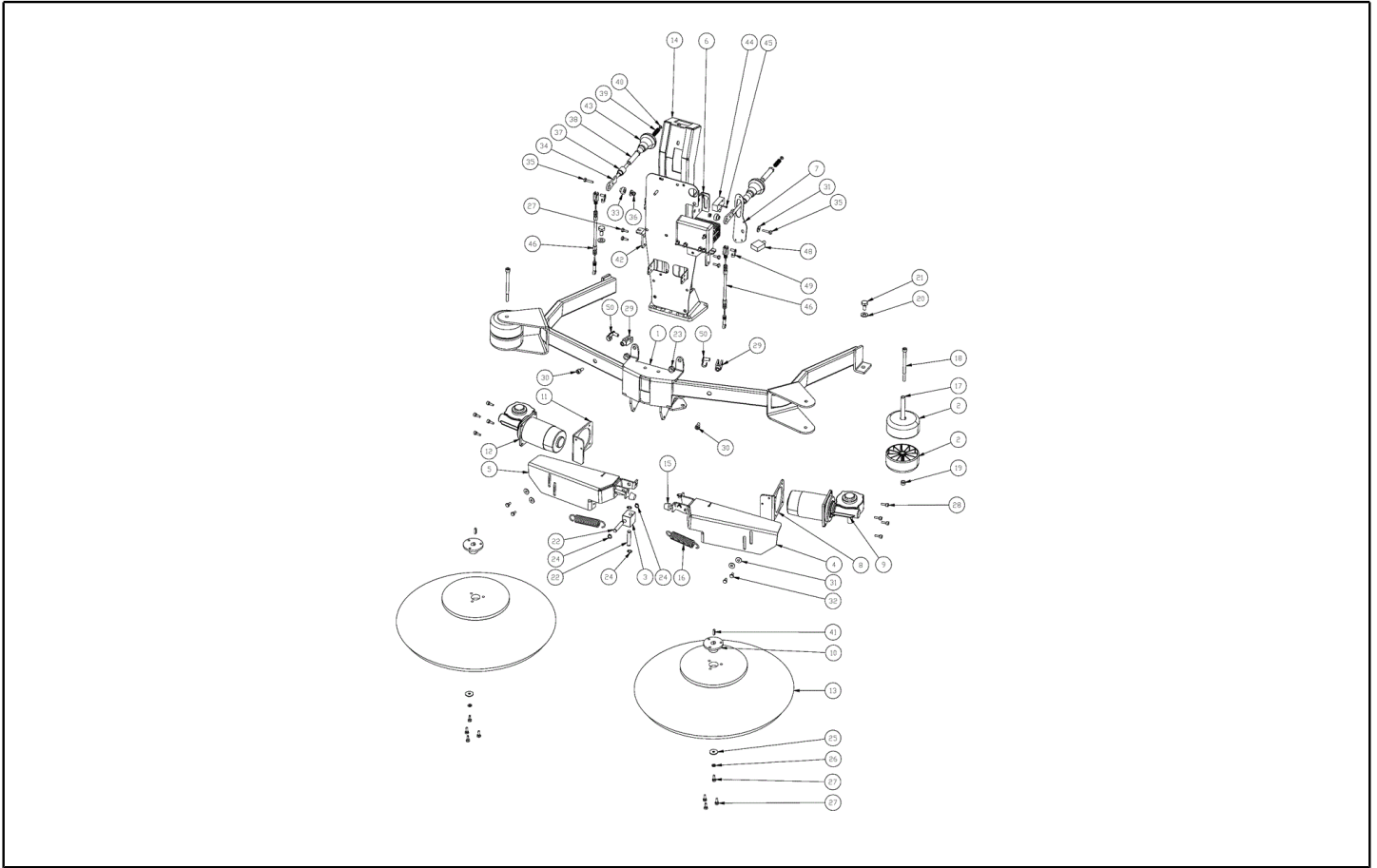
Ref. K	Part n.	Customer part n.	Description	Quantity	Validity		Price
					From	To	
0001	LAFN00909	22621148	BRACKET BIELLETTA PEDALE	1,00			--
0002	MPVR00866	21601070	PLANE ANTISDRUCCIOLO G1050	1,00			--
0003	LAFN00524	22301084	PIN PEDALE TK 1050	1,00			--
0004	VTAE48552	1105408	CIRCLIP ESTERNO DIN 471 D.6	2,00			--
0005	VTDD04369	75259	NUT M 4 TEF UNI 7473	2,00			--
0006	VTDD21115	SL05019	NUT M 3 INOX	2,00			--
0007	VTDD04369	75259	NUT M 4 TEF UNI 7473	1,00			--
0008	VTVT00089	1105778	SCREW TCCE UNI 5931 4X10 ZB	2,00			--
0009	VTVT00654	SL04060	SCREW TC+ M.3-20	2,00			--
0010	VTVT00727	SL04189	SCREW TE M. 4-20	1,00			--
0011	MECB01227		WIRING ACCELERATOR	1,00			--
0012	CMCV75717	11051100	CLIP UNI 1676 M6	1,00			--
0013	CUVR00183		BUSHING -	2,00			--
0014	LAFN06474		SHEET METAL PA. PEDALE	1,00			--
0015	LAFN07532		BUSHING -	1,00			--
0016	MPVR05528		WASHER -	2,00			--
0017	MLML00034	22051027	SPRING PEDALE AVANZAMENTO G1050	1,00			--
0018	LAFN01149	21901018	CONNECTING ROD PEDALE AVANZAMENTO G1050	1,00			--
0020	CMCV76639	11051000	FORK M 6 UNI 1676	1,00			--
0021	VTDD00482	05096	NUT M 6 ZIN UNI 5588	1,00			--
0022	VTRS00117	75153	WASHER 3.2X7 UNI6592	2,00			--
0023	VTRS01079	05131	WASHER D. 6 GROWER	1,00			--
0024	MECB01228		WIRING -	1,00			--



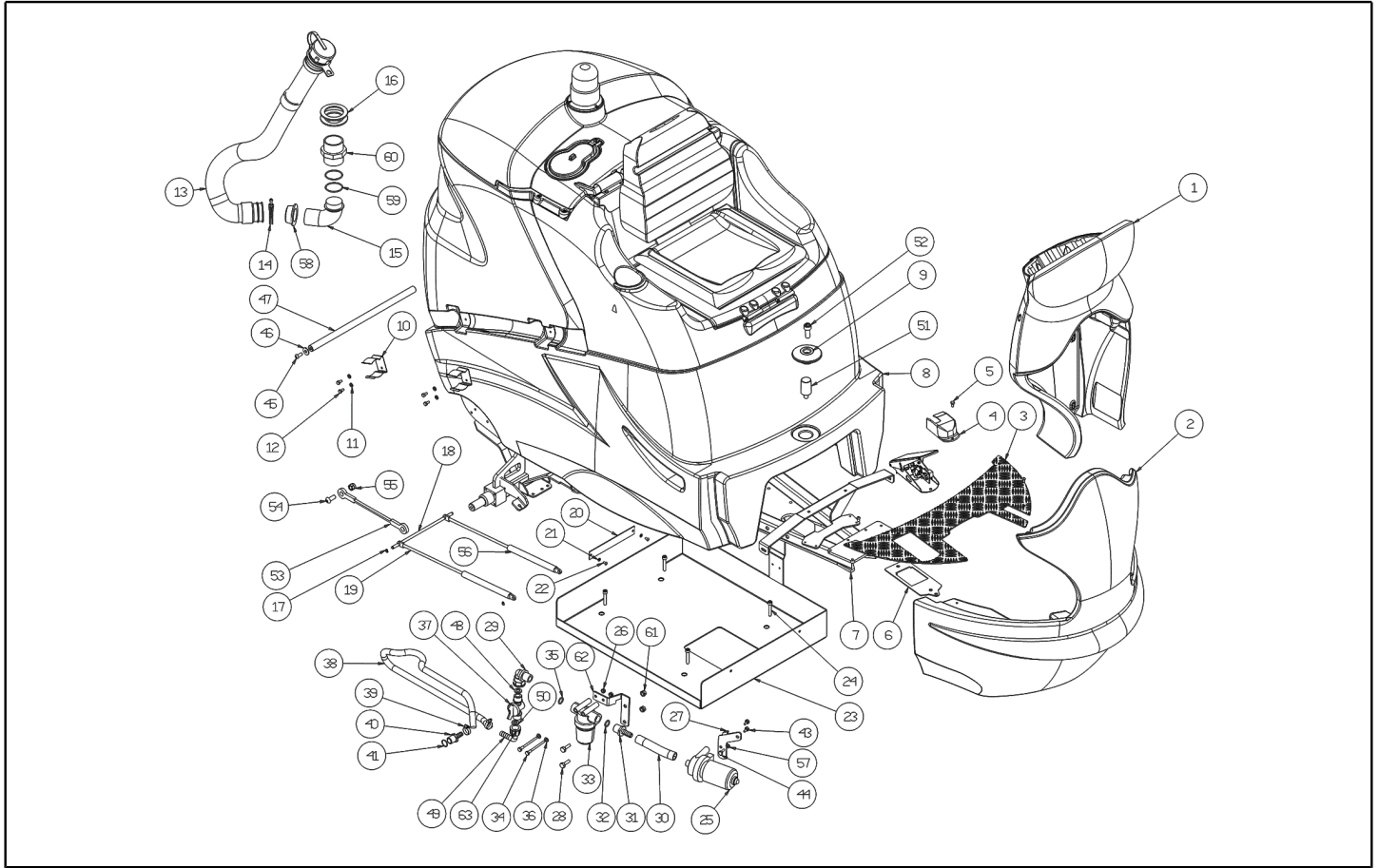
Ref. K	Part n.	Customer part n.	Description	Quantity	Validity		Price
					From	To	
0002	RCVR00745		CONNECTOR TRS 12-6-12	1,00			--
0005	RCGR00079		VALVE -	1,00			--
0006	MEVR02049		FLOWMETERS -	1,00			--
0009	LAFN08900		BRACKET -	1,00			--
0010	VTVT00748	SL04219	SCREW TC+4.2-9.5	3,00			--
0013	RCVR00787		CONNECTOR -	1,00	15/07/2013		--
0015	PPBP00059		PUMP -	1,00			--
0016	LAFN08899		PLANE -	1,00			--
0017	MPVR05188		CAP SOLUTION TANK	1,00			--
0020	MECI00564		SENSOR -	1,00			--
0021	RCVR00788		REDUCTION -	1,00	15/07/2013		--
0022	FTAC00044		FILTER CT15-CT30	1,00	15/07/2013		--
0023	RCVR00786		CONNECTOR -	1,00	15/07/2013		--



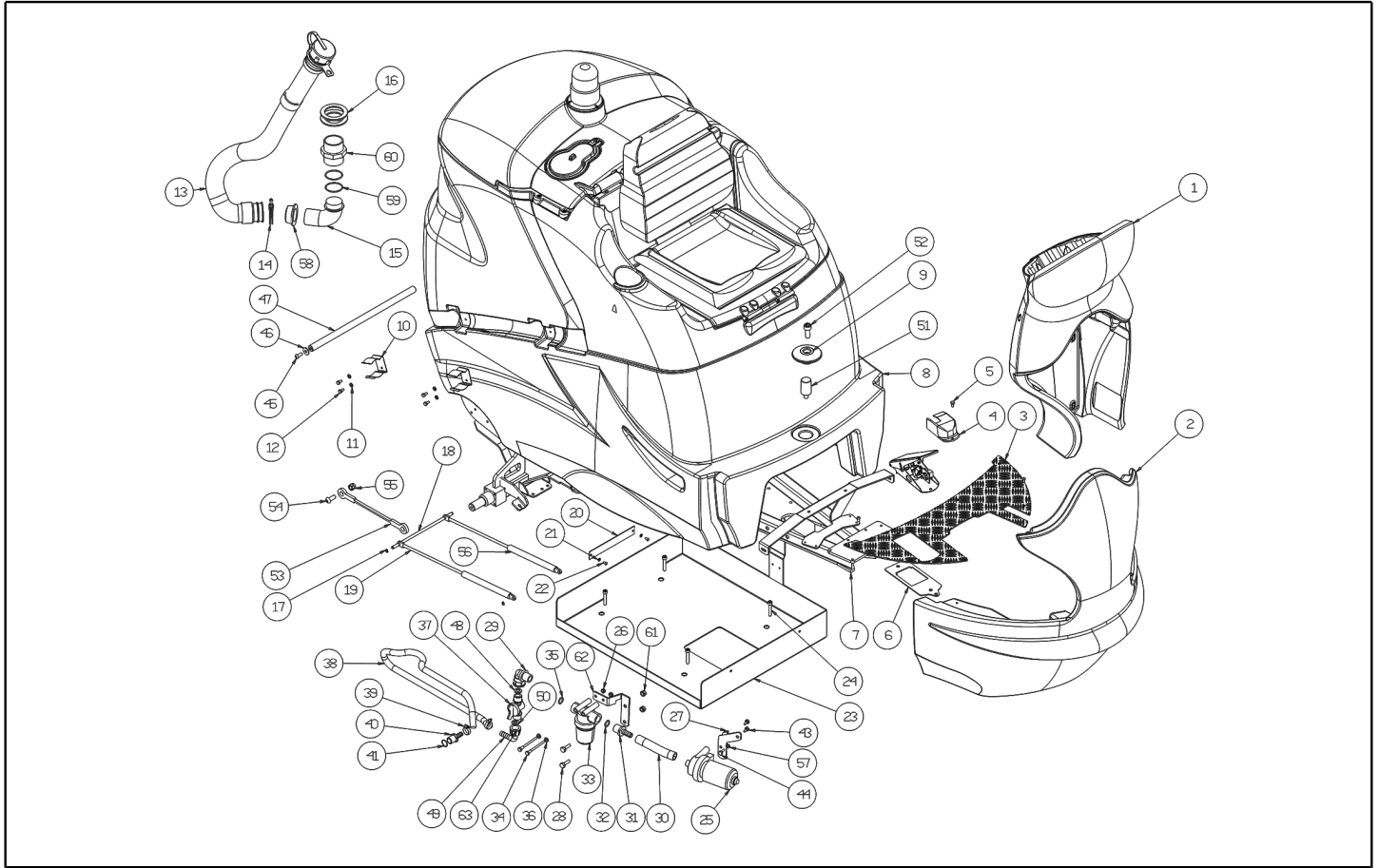
Ref. K	Part n.	Customer part n.	Description	Quantity	Validity		Price
					From	To	
0001	LAFN08098		BUMPER CT230R	1,00			--
0002	RTRT00510		WHEEL ANTIRIBALTAMENTO	4,00			--
0003	LAFN00154	21101092	BLOCK BRACCI SPAZ.LAT.TK1050	2,00			--
0004	LAFN08100		SUPPORT MOTOR	1,00			--
0005	LAFN08099		SUPPORT MOTOR	1,00			--
0006	LAFN07597		BRACKET -	2,00			--
0007	LAFN07599		COVER -	2,00			--
0008	LAFN00809	22601319	PLATE PORTASPAZZ.LAT.SX TK1050	1,00			--
0009	MOCC00367		MOTOR -	1,00			--
0010	LAFN45010	21501005	FLANGE FISS.SPAZZ.LAT.TK1000	2,00			--
0011	LAFN00808	22601318	PLATE PORTASPAZZ.LAT.DX TK1050	1,00			--
0012	MOCC00366		MOTOR -	1,00			--
0013	SPPV00018	1350047	BRUSH LATERALE TK1300/TK1200	2,00			--
0014	LAFN05787	SL39256	ASSEMBLED PIANTONE	1,00			--
0015	ABGO00055		VIBRATION DAMP. -	2,00			--
0016	MLML45102	22051014	SPRING BRACCIO SPAZ.LAT.TK1400	2,00			--
0017	LAFN04127	SL07620	PIN RULLO PARACOLPI	2,00			--
0018	VTVT67560	SL04422	SCREW TCEI M8X110 INOX AISI 304	2,00			--
0019	VTDD01695	SL05039	NUT M 8 INX	2,00			--
0020	VTRS15523	11051234	WASHER D.10 X21 INOX UNI 6592	2,00			--
0021	VTVT13936	SL04412	SCREW TE M 10X 20	2,00			--
0022	LAFN01148	22301107	PIN SPAZZOLE LATERALI	4,00			--
0023	VTDD10310		NUT AUTOBL.M10 INOX DIN 985	2,00			--
0024	VTAE87276	1105410	SEEGER EXT. D10 DIN471	8,00			--
0025	VTRS63242	1105325	WASHER UNI 6593 6X24X2 ZB	2,00			--
0026	VTRS15144	11051232	WASHER D. 6 INX GRW UNI 1751	2,00			--
0027	VTVT15143	SL04135	SCREW TE 6X16 UNI5739	12,00			--
0028	VTVT09913	1105507	SCREW TCCE UNI 5931 6X16 ZB	8,00			--
0029	CMCV00001	11051001	FORK UNI 1676 M8X16	2,00			--
0030	VTVT00876	SL04397	SCREW TCEI M.8-16	2,00			--
0031	VTRS13945	SL06039	WASHER D. 6X18 INX UNI 6593	8,00			--
0032	VTVT15906	SL04180	SCREW TE 6X 12 A2 UNI 5739	4,00			--
0033	LAFN00153	21101091	BUSHING LEVA ALZA SPAZ.LAT.ZINC.	2,00			--
0034	LAFN00803	22601312	ARM ALZASPAZZOLA LATER.1050	2,00			--
0035	VTVT15141	05245	SCREW TE M 6X 25 UNI 5739 INX	2,00			--
0036	VTDD01694	SL05074	NUT M6 INOX	2,00			--
0037	LAFN07612		BUSHING -	2,00			--
0038	LAFN00523	22301083	DOOR MOLLA ALZA SPAZZOLA	2,00			--
0039	MLML00027	22051024	SPRING POMOLO SPAZZ.CENTRALE	2,00			--
0040	VTRS00502	05117	WASHER D. 5 0.466 UNI 6592	2,00			--
0041	VTVR13165	1105467	KEY UNI 6604 5X5X20	2,00			--
0042	LAFN09211		BRACKET CT230 R	2,00			--
0043	MPVR00868	13201016	KNOB ALZASPAZZOLA LAT.G1050	2,00			--
0044	MECI75801	1380001	MICROSWITCH A PISTONE (MS/10-Z15GC)	2,00			--



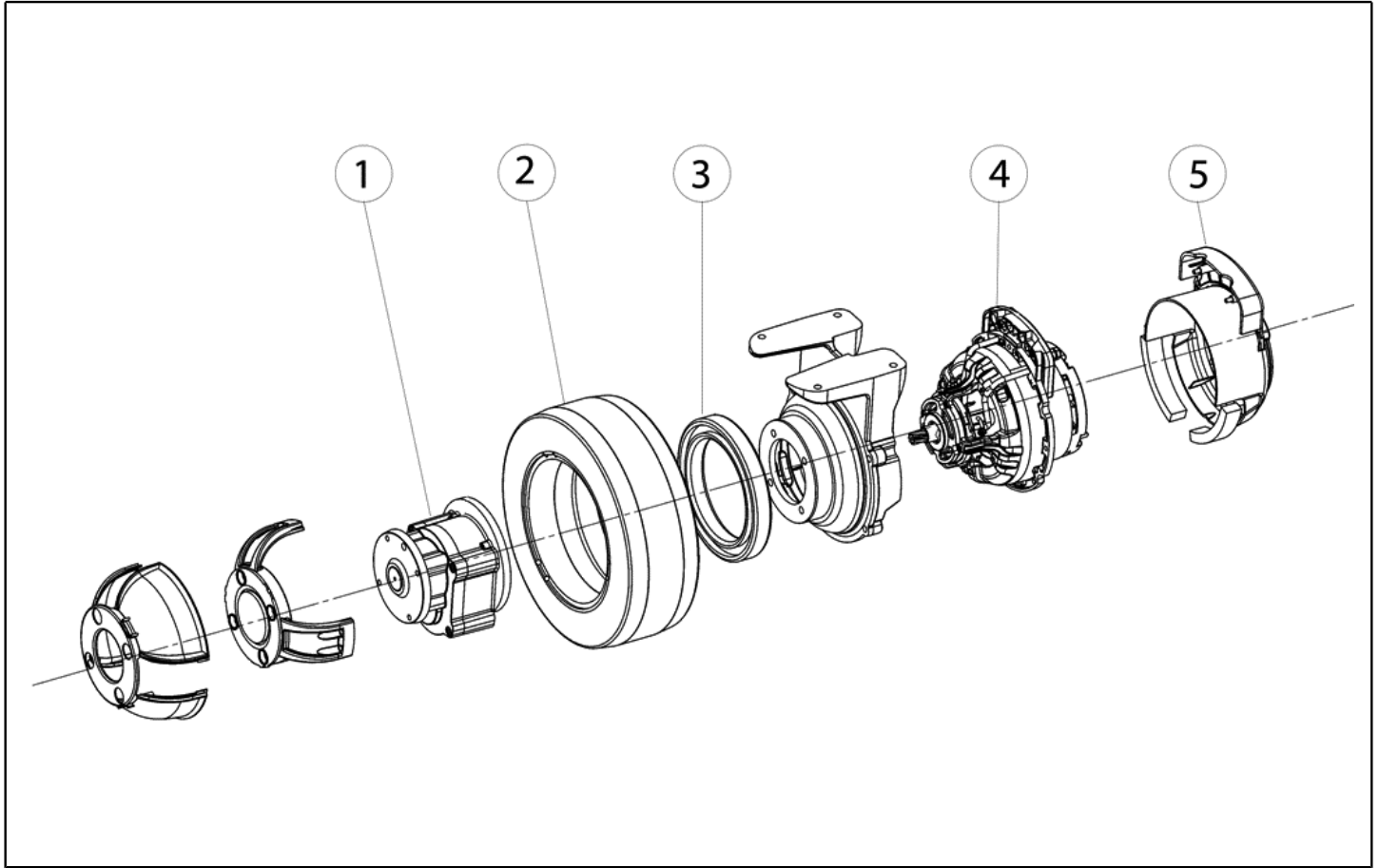
Ref. K	Part n.	Customer part n.	Description	Quantity	Validity		Price
					From	To	
0045	VTVT01350		SCREW M3-20 INOX	4,00			--
0046	CMCV00458		CABLE -	2,00			--
0048	METT00040	SL23585		2,00			--
0049	CMCV75717	11051100	CLIP UNI 1676 M6	2,00			--
0050	CMCV75718	11051101	CLIP UNI 1676 M8	2,00			--



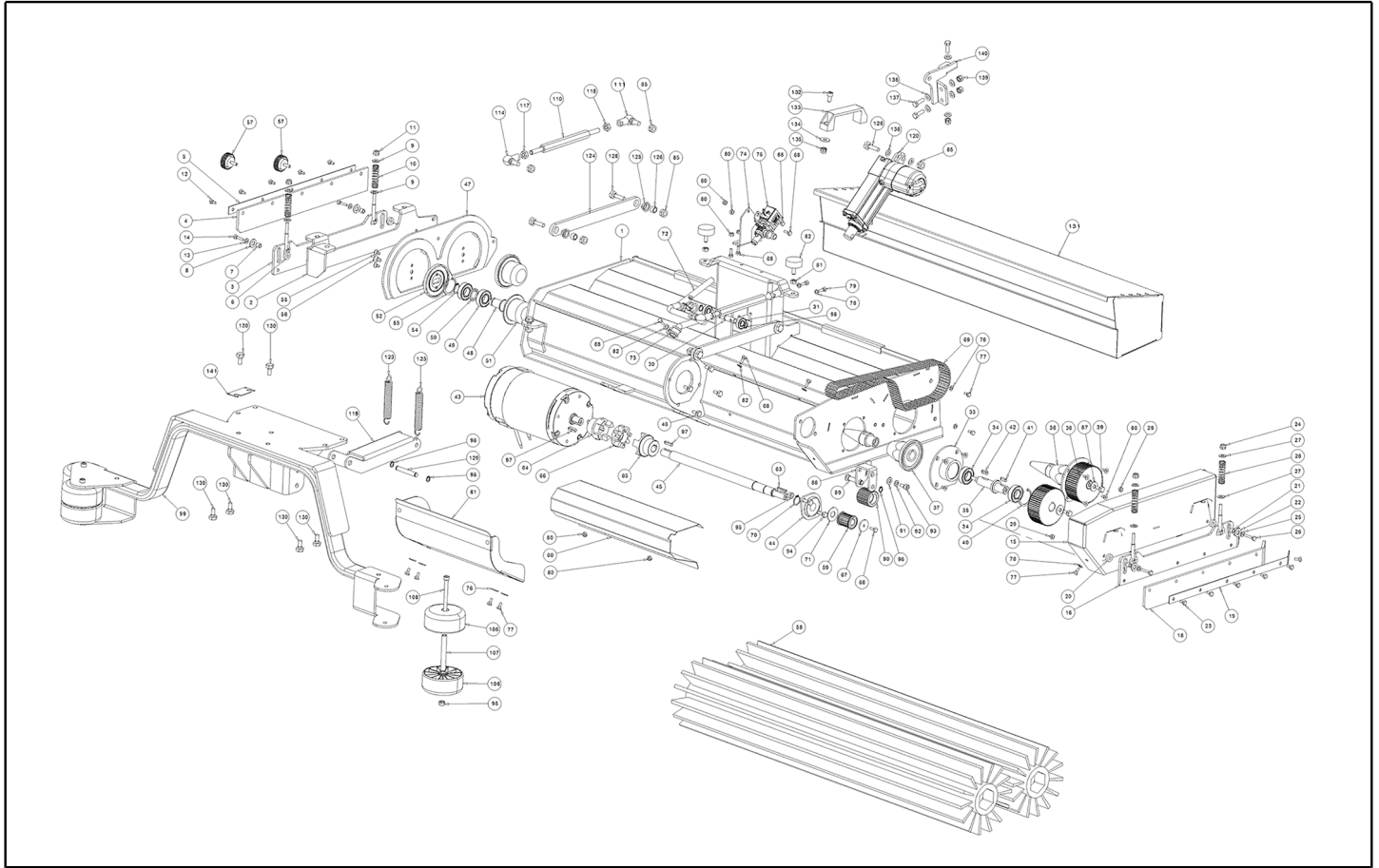
Ref. K	Part n.	Customer part n.	Description	Quantity	Validity		Price
					From	To	
0001	MPVR05819		SIDE PANEL -	1,00			--
0002	MPVR05028		BODY SIDE	1,00			--
0003	LAFN07015		PLANE -	1,00			--
0004	MPVR00302	21201226	CRANKCASE PEDALE AVANZAMENTO	1,00			--
0005	VTVT15906	SL04180	SCREW TE 6X 12 A2 UNI 5739	2,00			--
0006	LAFN07001		FLANGE -	1,00			--
0007	LAFN06991		FRAME -	1,00			--
0008	KTRIO2057		KIT TANK 230	1,00			--
0009	MPVR05949		FLANGE CT230	1,00			--
0010	FVSR44166	SL13045	HOSE CLIP D.50	2,00			--
0011	VTRS00245	SL06022	WASHER D.6 UNI 6592 INOX	4,00			--
0012	VTVT15906	SL04180	SCREW TE 6X 12 A2 UNI 5739	4,00			--
0013	TBBP00388		TUBE -	1,00		16/10/2012	--
0013	TBBP00487		TUBE DRAIN PU CT230	1,00	17/10/2012		--
0014	FVSR00033	70616	CLAMP 45-60	1,00			--
0015	RCVR00719		CONNECTOR M12X1,5	1,00		17/07/2011	--
0015	RCVR00775		CONNECTOR 90°	1,00	18/07/2011		--
0016	GUVR00271		GASKET X RACCORDO 2"	2,00			--
0017	VTAE00083		CIRCLIP D. 8	6,00			--
0018	LAFN07011		PIN -	1,00			--
0019	MLML00296		PISTON -	1,00			--
0020	LAFN07010		BRACKET -	3,00			--
0021	VTRS13750	SL06038	WASHER D. 5X14 INX	6,00			--
0022	VTVT15961	SL04108	SCREW M 5X 16 TCB TC UNI 7687	6,00			--
0023	LAFN06992		CONTAINER -	1,00			--
0024	VTVT00889	SL04415	SCREW TCEI M. 8-45	4,00			--
0025	PPEL00025		PUMP EST. 36V	1,00			--
0026	VTDD01694	SL05074	NUT M6 INOX	2,00			--
0027	LAFN09210		BRACKET CT230 R	1,00			--
0028	VTVT15907	SL04145	SCREW TE 8X25 UNI5739 INX	2,00			--
0029	RCVR00541	SL18417	CURVED CONNECT. M/F G1/2 COD.126-2022	1,00			--
0031	RCVR00547	SL18426	CONNECTOR PORTAG. DIRIT	1,00			--
0032	GUGO36290	SL03208	O-RING D. 17.04 X 3.53 NBR 70SH	1,00			--
0033	FTAC00038	SL18411	FILTER G1/2 INOX	1,00			--
0034	VTVT00699	SL04140	SCREW TE M. 6-70	2,00			--
0035	GUGO36290	SL03208	O-RING D. 17.04 X 3.53 NBR 70SH	1,00			--
0036	VTRS00245	SL06022	WASHER D.6 UNI 6592 INOX	2,00			--
0037	RCGR00078		VALVE WATER	1,00			--
0040	RCVR00542	SL18418	CURVED CONNECT. M G1/2 PORTAG. 113-2213	1,00			--
0041	GUGO31088	SL03149	O-RING D. 12 X 2.50 NBR 70SH	1,00			--
0042	VTVT00640	SL04027	SCREW TBEI M 6-12 INOX	4,00			--
0043	VTVT15906	SL04180	SCREW TE 6X 12 A2 UNI 5739	2,00			--
0044	VTVT15143	SL04135	SCREW TE 6X16 UNI5739	1,00			--
0045	VTVT00779	SL04269	SCREW TBEI M.8-16	2,00			--



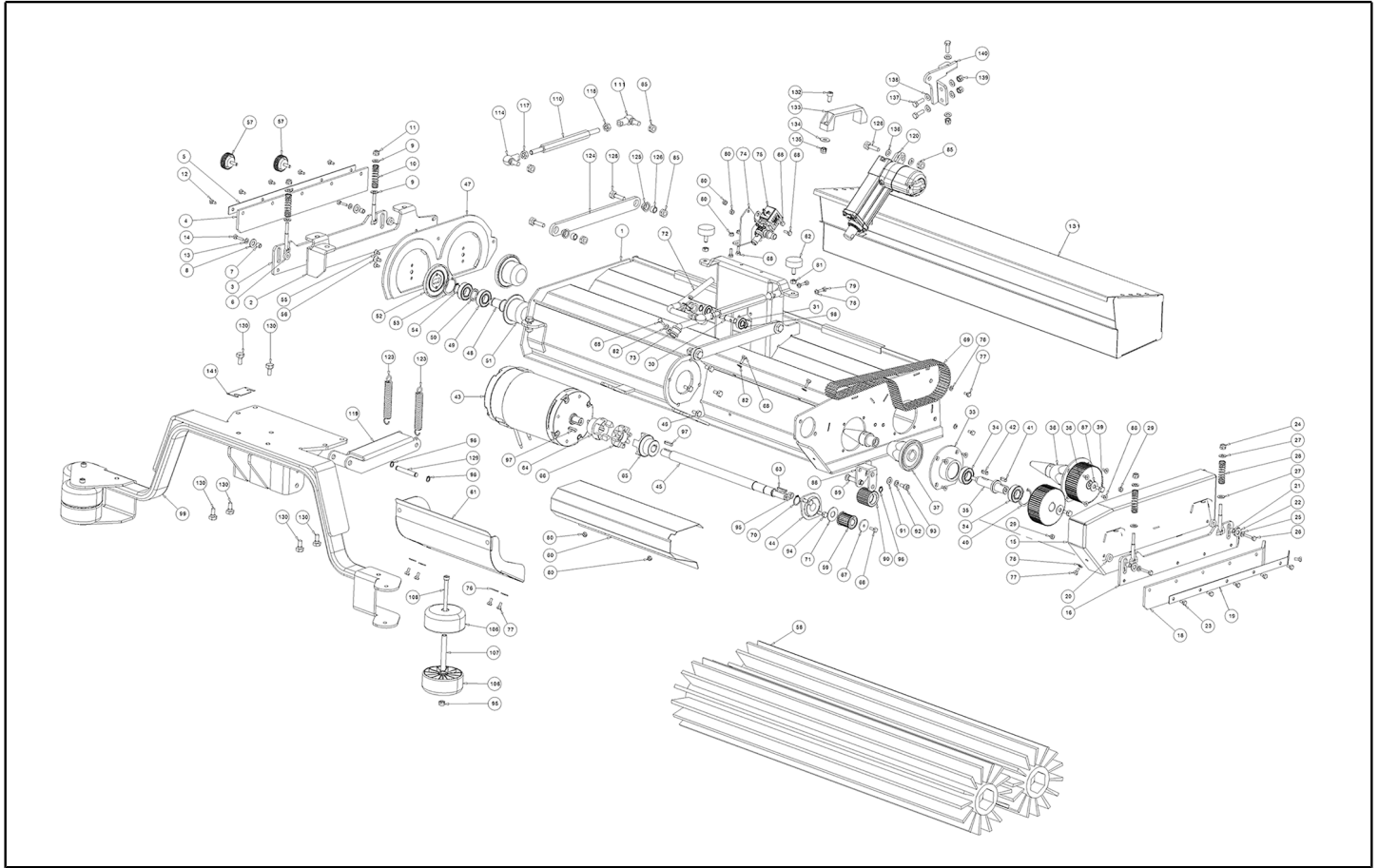
Ref. K	Part n.	Customer part n.	Description	Quantity	Validity		Price
					From	To	
0046	VTRS16323		WASHER D. 8 X32 UNI 6593 INX	2,00			--
0047	LAFN07007		PIN -	1,00			--
0048	GUGO00427		GASKET -	1,00			--
0049	RCVR00752		CONNECTOR G1/2"G	1,00			--
0050	GUGO00427		GASKET -	1,00			--
0051	LAFN07014		PIN -	1,00			--
0052	VTVT00307	75205	SCREW TCEI M10X30	1,00			--
0053	CMCV00455		CABLE -	2,00			--
0054	VTVT01195		SCREW TBEI M 8X 25 ISO 7380 IX	2,00			--
0055	VTDD01695	SL05039	NUT M 8 INX	2,00			--
0056	MLML00330		SPRING -	1,00			--
0057	VTRS15144	11051232	WASHER D. 6 INX GRW UNI 1751	1,00			--
0058	RCVR00777		CONNECTION 2"	1,00	18/07/2011		--
0059	GUGO00320		O-RING 2"	2,00	18/07/2011		--
0060	RCVR00779		NIPPLE 2"	1,00	18/07/2011		--
0061	VTDD01695	SL05039	NUT M 8 INX	2,00			--
0062	LAFN09209		BRACKET FILTER CT230 R	1,00			--
0063	MPVR05240		RING NUT G1/2	1,00			--



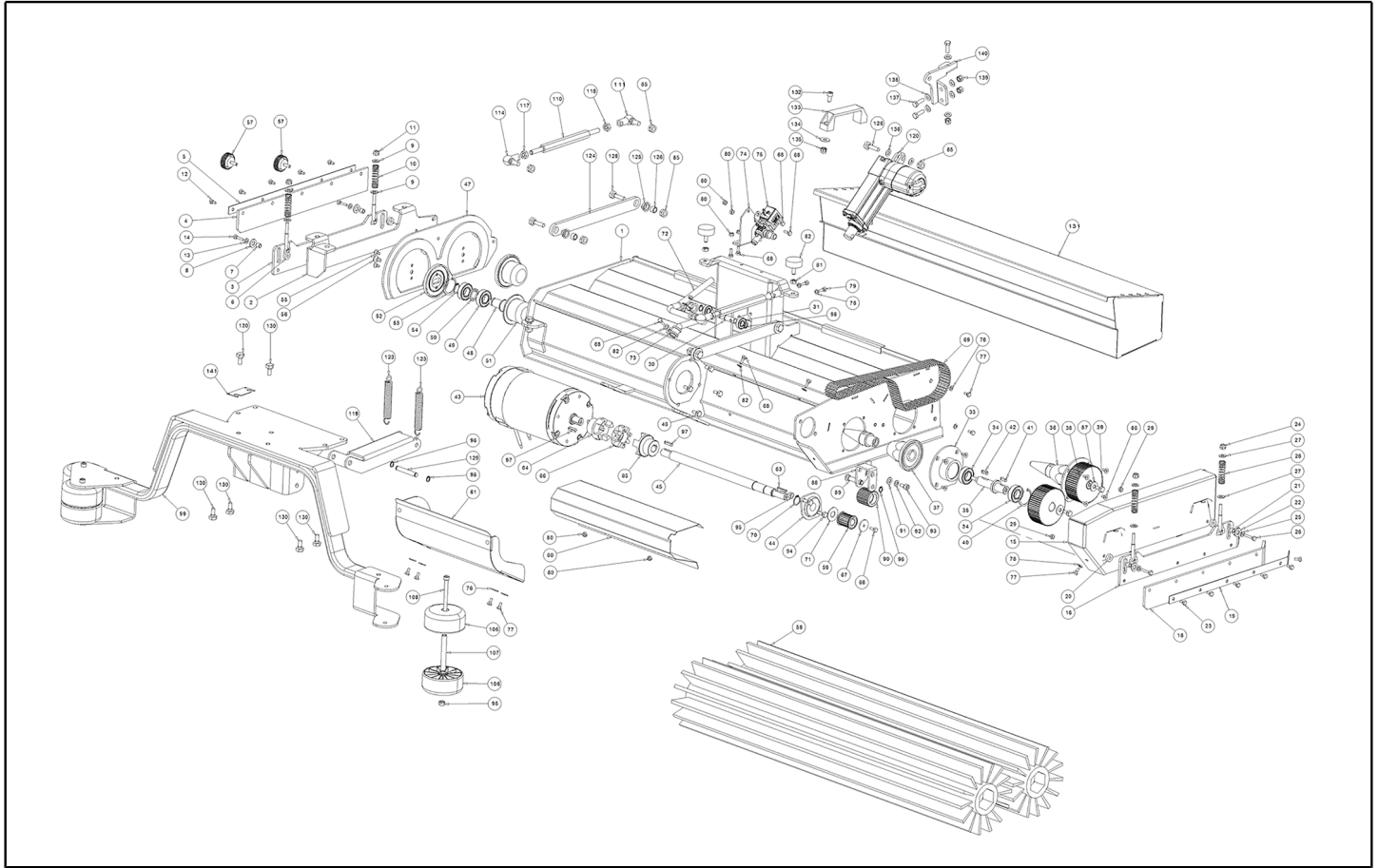
Ref. K	Part n.	Customer part n.	Description	Quantity	Validity		Price
					From	To	
0001	RDGR00039		REDUCTION UNIT -	1,00			--
0002	RTRT00442		WHEEL PU BLUE CT230 300x100	1,00			--
0003	CUVR00194		BEARING 61926 2RS	1,00			--
0004	MOCC00407		MOTOR ELECTRIC TRAC.-WHEEL 230	1,00			--
0005	MPVR04999		CAP .	1,00			--



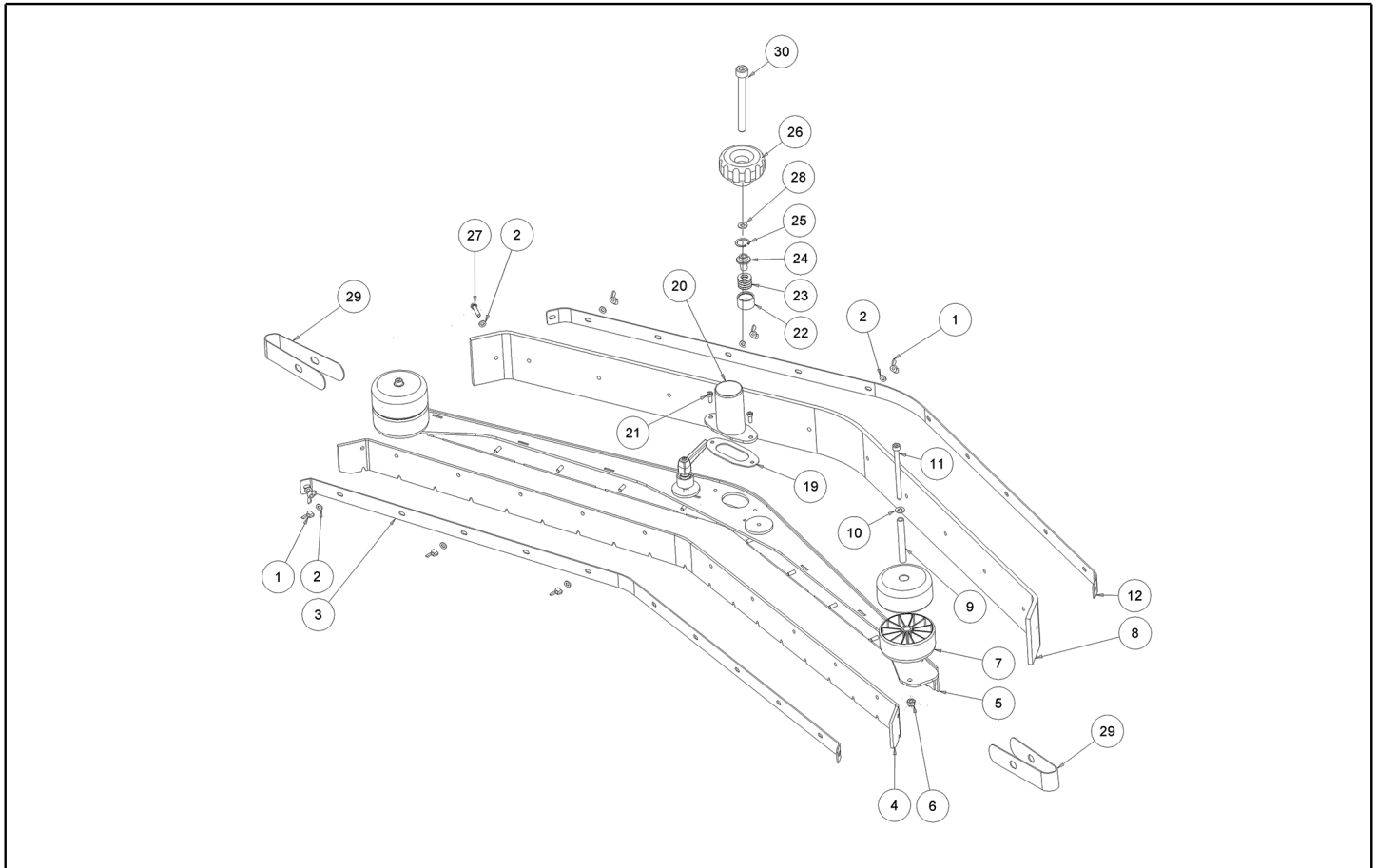
Ref. K	Part n.	Customer part n.	Description	Quantity	Validity		Price
					From	To	
0001	LAFN08056		HEAD CT230	1,00			--
0002	LAFN09219		SUPPORT DX	1,00			--
0003	LAFN08076		SUPPORT DX	1,00			--
0004	MPVR06262		FLAP DX CT230	1,00			--
0005	LAFN08077		BRACKET DX	1,00			--
0006	LAFN06396		SPACER FLAP SX	1,00			--
0007	LAFN04184	SL07676	BUSHING P185 ROLL.	2,00			--
0008	VTRS15523	11051234	WASHER D.10 X21 INOX UNI 6592	2,00			--
0009	VTRS13947	75373	WASHER D. 8 INX UNI 6592	4,00			--
0010	MLML00302		SPRING REGISTRAZIONE FLAP	2,00			--
0011	VTDD01695	SL05039	NUT M 8 INX	2,00			--
0012	VTVT15906	SL04180	SCREW TE 6X 12 A2 UNI 5739	5,00			--
0013	VTRS00503	05118	WASHER D. 6 TE UNI 6798	2,00			--
0014	VTVT15141	05245	SCREW TE M 6X 25 UNI 5739 INX	2,00			--
0015	LAFN08074		PLANE SX	1,00			--
0016	LAFN08075		SUPPORT SX	1,00			--
0018	MPVR06263		FLAP SX CT230	1,00			--
0019	LAFN08079		BRACKET SX	1,00			--
0020	LAFN06396		SPACER FLAP SX	2,00			--
0021	LAFN04184	SL07676	BUSHING P185 ROLL.	2,00			--
0022	VTRS15523	11051234	WASHER D.10 X21 INOX UNI 6592	2,00			--
0023	VTVT15906	SL04180	SCREW TE 6X 12 A2 UNI 5739	6,00			--
0024	VTDD01695	SL05039	NUT M 8 INX	2,00			--
0025	VTRS00503	05118	WASHER D. 6 TE UNI 6798	2,00			--
0026	VTVT00433		SCREW TE M 6X 30 UNI 5739 INX	2,00			--
0027	VTRS13947	75373	WASHER D. 8 INX UNI 6592	4,00			--
0028	MLML00302		SPRING REGISTRAZIONE FLAP	2,00			--
0029	VTDD01694	SL05074	NUT M6 INOX	2,00			--
0030	LAFN08082		PIN -	2,00			--
0031	CUVR46942	1390032	BALL BEARING 6001-2RS1 -SKF	2,00			--
0033	LAFN08057		FLANGE .	1,00			--
0034	CUVR19846	70039	BALL BEARING 6004 2RS1	2,00			--
0035	ALTR00092		SHAFT -	1,00			--
0036	LAFN10125		SHAFT INSERIMENTO SPAZZOLE	1,00			--
0037	LAFN08059		DRIVE DISK .	1,00			--
0038	MTPL00210		PULLEY -	1,00			--
0039	VTVT15916	SL04203	SCREW TE M 8X 16 UNI 5739 A2	1,00			--
0040	VTAE14086	RP14086	CIRCLIP D. 42 UNI 7437	1,00			--
0041	VTVR00053	1105477	KEY UNI 6604 6X6X18	1,00			--
0042	VTVR28706	1105472	KEY UNI 6604 6X6X20	1,00			--
0043	MOCC00421		MOTOR -	1,00			--
0044	CUVR00105	SL12031	SUPPORT	1,00			--
0045	ALTR00093		SHAFT -	1,00			--
0046	VTVT15916	SL04203	SCREW TE M 8X 16 UNI 5739 A2	4,00			--



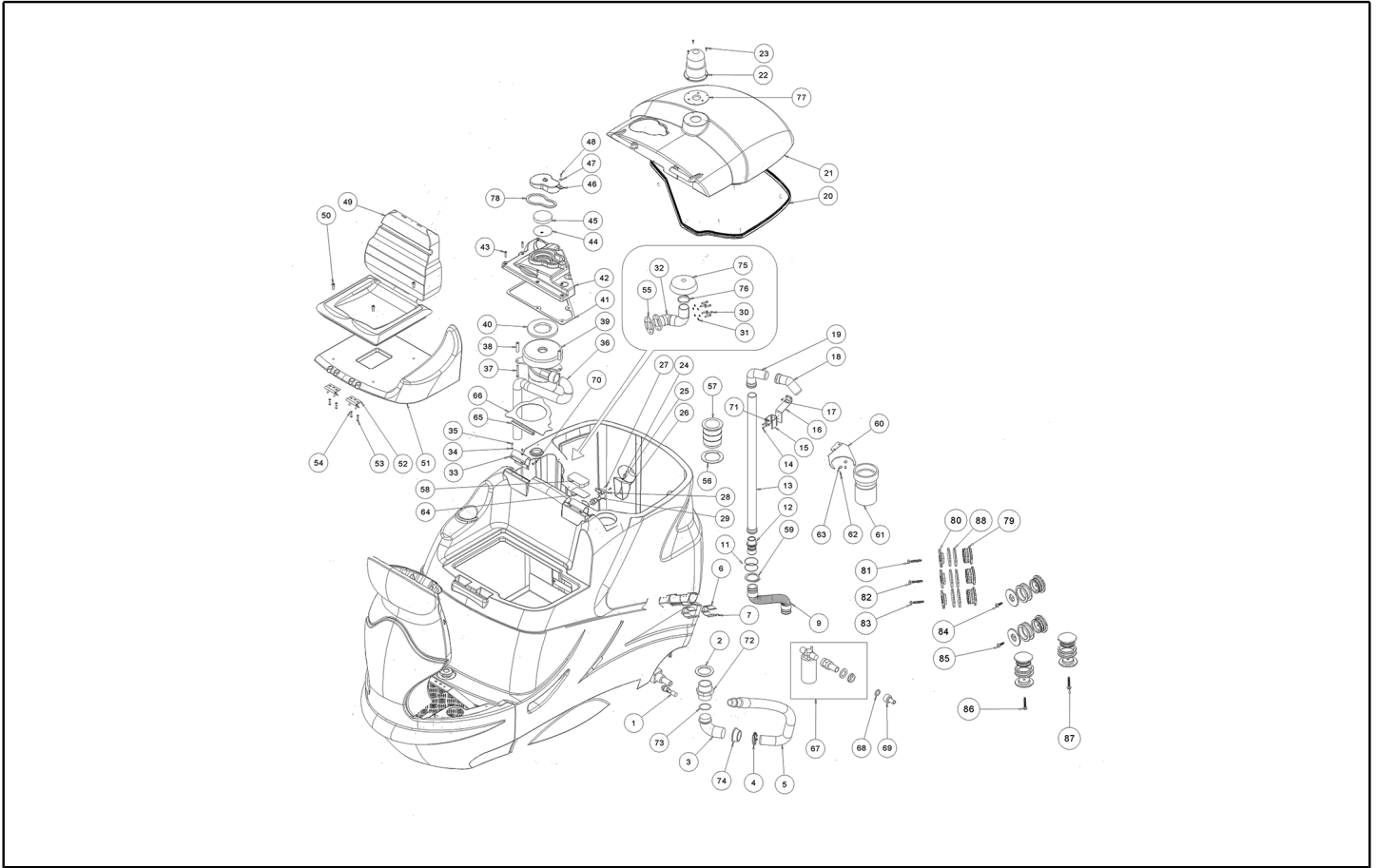
Ref. K	Part n.	Customer part n.	Description	Quantity	Validity		Price
					From	To	
0047	LAFN08097		PLANE DX	1,00			--
0048	LAFN08089		PIN -	2,00			--
0049	CUVR19846	70039	BALL BEARING 6004 2RS1	4,00			--
0050	LAFN08088		SPACER -	2,00			--
0051	LAFN08087		ROLLER -	2,00			--
0052	LAFN08086		PROTECTION -	2,00			--
0053	VTAE14086	RP14086	CIRCLIP D. 42 UNI 7437	2,00			--
0054	VTAE06193	RP06193	CIRCLIP D. 20 UNI 7435	2,00			--
0055	VTVT00678	SL04101	SCREW	4,00			--
0056	VTVT00790	SL04283	SCREW TSPEI M8X16	2,00			--
0057	VTVT00125	1320106	HANDWHEEL D.40 M6X15	2,00			--
0058	SPPV01330		ROLLER D180X984	2,00			--
0059	MTPL00154	SL10101	PULLEY MOTORE TESTATA P185	1,00			--
0060	LAFN08081		CRANKCASE -	1,00			--
0061	LAFN08080		PROTECTION MOTOR	1,00			--
0062	ABGO00026	70775	VIBRATION DAMP.	2,00			--
0063	VTVR13164	1105460	KEY UNI 6604 5X5X30	1,00			--
0064	ALTR00094		HUB -	1,00			--
0065	ALTR00094		HUB -	2,00			--
0066	MPVR06304		RING -	1,00			--
0067	VTRS00573		WASHER 30x6x3	1,00			--
0068	VTVT15143	SL04135	SCREW TE 6X16 UNI5739	10,00			--
0069	MTCG00137		BELT -	1,00			--
0070	VTAE06193	RP06193	CIRCLIP D. 20 UNI 7435	1,00			--
0071	LAFN36058		WASHER INOX Ø15,3X35 SP2	1,00			--
0073	FSVR00043	70985	CLAMP d.16	1,00			--
0074	LAFN08101		SUPPORT EV	1,00			--
0075	MEEV00043		SOLENOID VALVE	1,00			--
0076	VTRS13945	SL06039	WASHER D. 6X18 INX UNI 6593	4,00			--
0077	VTVT15906	SL04180	SCREW TE 6X 12 A2 UNI 5739	7,00			--
0078	VTRS15144	11051232	WASHER D. 6 INX GRW UNI 1751	5,00			--
0079	VTVT13939	11051239	SCREW TE 6X20 UNI5739 INX	2,00			--
0080	VTDD01694	SL05074	NUT M6 INOX	7,00			--
0081	VTDD15521	05518	NUT M 8 INX A2 UNI 5588	2,00			--
0082	VTRS00245	SL06022	WASHER D.6 UNI 6592 INOX	4,00			--
0085	VTDD10310		NUT AUTOBL.M10 INOX DIN 985	10,00			--
0086	VTVT00678	SL04101	SCREW	8,00			--
0087	VTRS13946	SL06025	WASHER D. 8 X24 INX UNI 6593	2,00			--
0088	LAFN06848		SUPPORT TENDICINGHIA	1,00			--
0089	LAFN06847		PIN TENDICINGHIA	1,00			--
0090	MTPL00193		ROLLER Z26	1,00			--
0091	VTRS13947	75373	WASHER D. 8 INX UNI 6592	2,00			--
0092	VTRS15146	05519	WASHER D. 8 INX GRW UNI 1751	2,00			--
0093	VTVT00876	SL04397	SCREW TCEI M.8-16	2,00			--



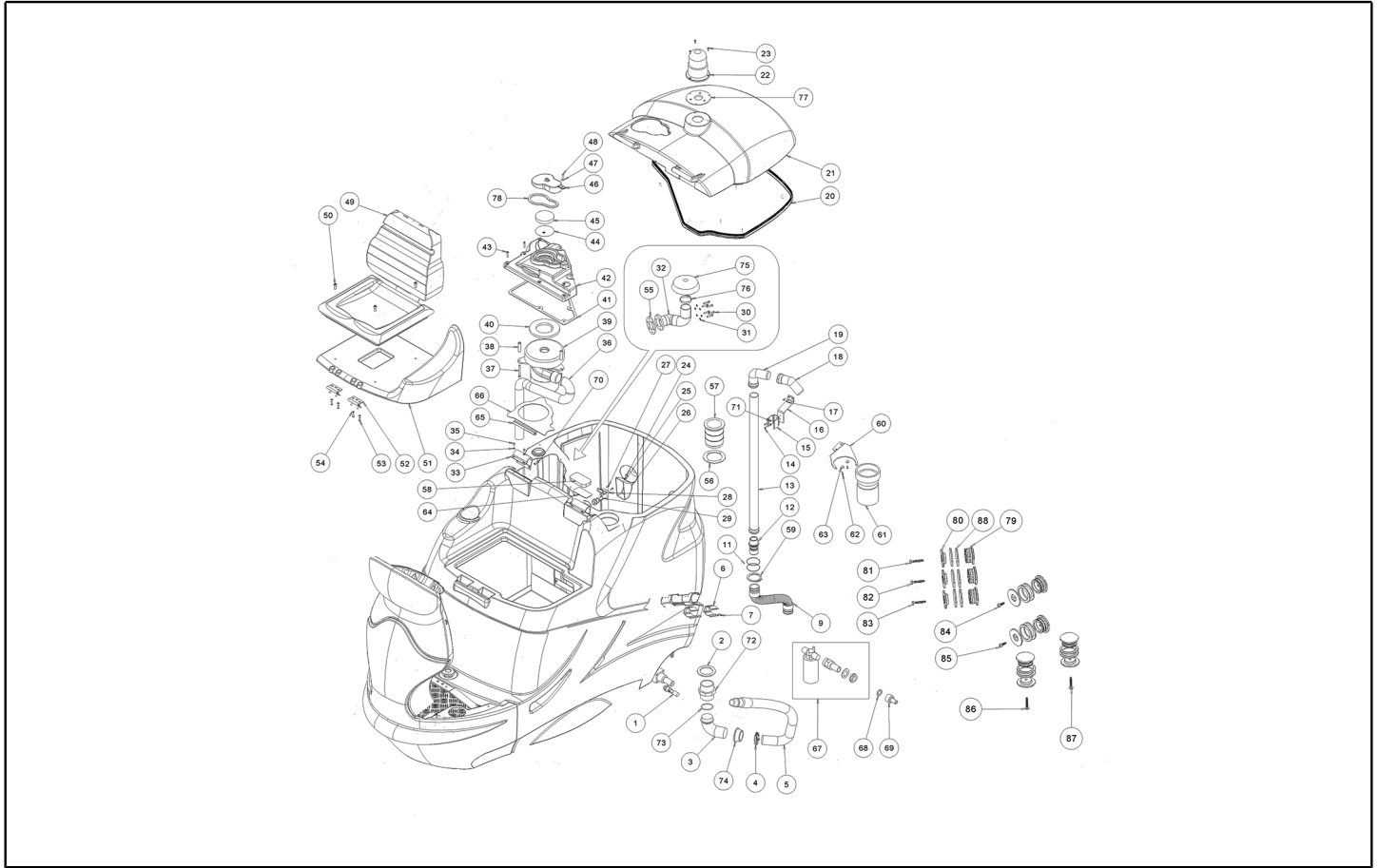
Ref. K	Part n.	Customer part n.	Description	Quantity	Validity		Price
					From	To	
0094	VTVT13938	75362	SCREW TE 8X20 UNI5739 INX	2,00			--
0095	VTDD01695	SL05039	NUT M 8 INX	5,00			--
0096	VTAE87276	1105410	SEEGER EXT. D10 DIN471	3,00			--
0097	VTVR23472	1105469	KEY UNI 6604 6X6X25	1,00			--
0098	VTAE14016	1105420	SEEGER ESTERNO DIN 471 D.12	2,00			--
0099	LAFN08096		BRACKET CT230 R	1,00			--
0106	RTRT00510		WHEEL ANTIRIBALTAMENTO	6,00			--
0107	LAFN04127	SL07620	PIN RULLO PARACOLPI	3,00			--
0108	VTVT67560	SL04422	SCREW TCEI M8X110 INOX AISI 304	3,00			--
0110	LAFN09238		PIN CT230	1,00			--
0111	VTVR00133	75221	ARTICULATION RIGHT THREAD M10	1,00			--
0114	VTVR00118	71825	ARTICULATION LEFT THREAD M10	1,00			--
0117	VTDD00211		NUT UNI 5589 M16 THREAD LEFT	1,00			--
0118	VTDD15522		NUT M10 INOX UNI5588	1,00			--
0119	LAFN09208		BRACKET CT230 R	1,00			--
0120	MOCC00388		ATUATOR BRUSH HEAD 36V 1500N	1,00			--
0123	MLML31130	SL13037	SPRING D. 17.5 X110 N38	2,00			--
0124	LAFN08102		ARM CT230R	2,00			--
0125	CUVR00192		BUSHING -	3,00			--
0126	LAFN09249		BUSHING -	3,00			--
0128	VTVT00715	SL04166	SCREW TE M.10-35	5,00			--
0129	LAFN08092		PIN -	1,00			--
0130	VTVT13936	SL04412	SCREW TE M 10X 20	6,00			--
0131	LAFN08073		DRAWER CT230	1,00			--
0132	VTVT00876	SL04397	SCREW TCEI M.8-16	2,00			--
0133	MPVR01499	70026	HANDLE	1,00			--
0134	VTRS13946	SL06025	WASHER D. 8 X24 INX UNI 6593	2,00			--
0135	VTDD01695	SL05039	NUT M 8 INX	2,00			--
0136	VTRS15523	11051234	WASHER D.10 X21 INOX UNI 6592	2,00			--
0137	VTVT15907	SL04145	SCREW TE 8X25 UNI5739 INX	3,00			--
0138	VTRS13947	75373	WASHER D. 8 INX UNI 6592	6,00			--
0139	VTDD01695	SL05039	NUT M 8 INX	3,00			--
0140	LAFN07877		BRACKET -	1,00			--
0141	LAFN08164		THICKNESS -	3,00	15/01/2015		--



Ref. K	Part n.	Customer part n.	Description	Quantity	Validity		Price
					From	To	
0001	VTDD00171	SL05084	NUT M6 INOX	14,00			--
0002	VTRS00245	SL06022	WASHER D.6 UNI 6592 INOX	16,00			--
0003	LAFN08930		BRACKET -	1,00			--
0004	MPVR05885		BLADE SQUEEGEE FRONT CT230-105	1,00			--
0005	LAFN08929		FLOOR WIPER -	1,00			--
0006	VTDD01695	SL05039	NUT M 8 INX	2,00			--
0007	RTRT00510		WHEEL ANTIRIBALTAMENTO	4,00			--
0008	MPVR05886		BLADE SQUEEGEE REAR LATEX CT230	1,00			--
0009	LAFN04127	SL07620	PIN RULLO PARACOLPI	2,00			--
0010	VTRS13946	SL06025	WASHER D. 8 X24 INX UNI 6593	2,00			--
0011	VTVT67560	SL04422	SCREW TCEI M8X110 INOX AISI 304	2,00			--
0012	LAFN08931		BRACKET -	1,00			--
0019	GUGO06700	SL03663	GASKET SQUEEGEE	1,00			--
0020	LAFN08938		CONNECTOR -	1,00			--
0021	VTVT00717	SL04172	SCREW TCEI M. 6-16	2,00			--
0022	LAFN04137	SL07629	CONTAINER MOLLE A TAZZA	2,00			--
0023	MLML00245	SL13150	SPRING A TAZZA	12,00			--
0024	LAFN07939		PLATE XS	2,00			--
0025	VTAE13513	SL11133	CIRCLIP D. 26 UNI 7437	2,00			--
0026	VTVR00047	1320099	HANDWHEEL D.50 M8	2,00			--
0027	VTVT00433		SCREW TE M 6X 30 UNI 5739 INX	2,00			--
0028	VTRS13947	75373	WASHER D. 8 INX UNI 6592	2,00			--
0029	MPVR06002		DUCT LOCK FLAP CT230	2,00			--
0030	VTVT01198		SCREW TCEI M8X70	2,00			--



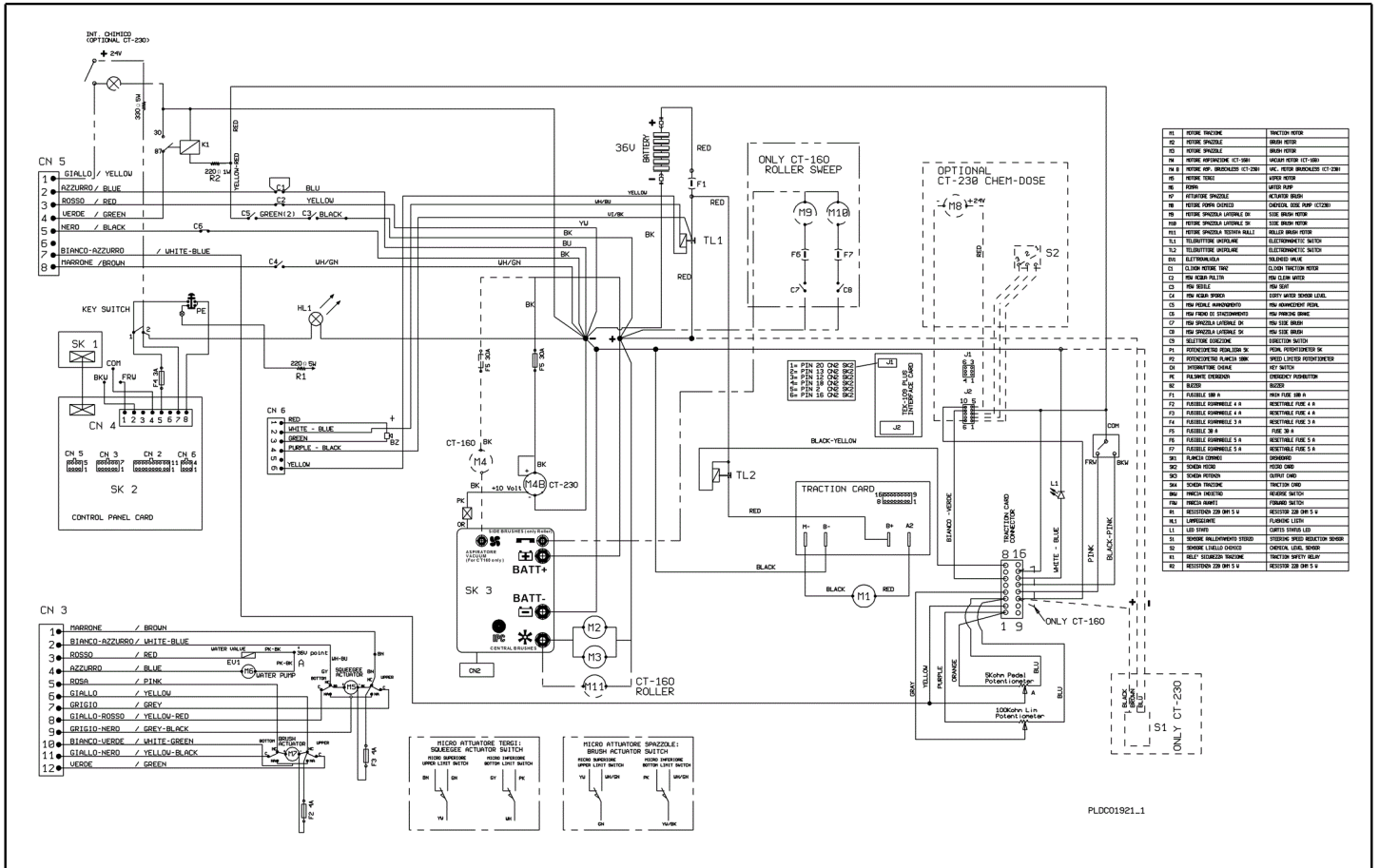
Ref. K	Part n.	Customer part n.	Description	Quantity	Validity		Price
					From	To	
0001	MECI00533		SENSOR VS303-51N	1,00			--
0002	GUGO00216	SL03416	GASKET ACQUA SPORCA	1,00			--
0003	RCVR00774		CONNECTOR 90°	1,00			--
0004	FSVR00095	SL14099	CLAMP 30-45	1,00			--
0005	TBBP00391		TUBE -	1,00			--
0006	MPVR46988	SL13118	CLIP LAV. SHK	2,00			--
0007	VTVT15965	SL04346	SCREW TCB-TC 4X12 UNI7687 INX	4,00			--
0009	TBFX01098		TUBE .	1,00			--
0011	GUGO00445		O-RING -	2,00			--
0012	RCVR01107		CONNECTOR CT230	1,00			--
0013	TBFX01097		TUBE .	1,00			--
0014	VTVT00817	SL04323	SCREW TE M4x12 UNI 5739 INOX	2,00			--
0015	FSVR44166	SL13045	HOSE CLIP D.50	1,00			--
0016	LAFN07009		BRACKET -	1,00			--
0017	VTVT15961	SL04108	SCREW M 5X 16 TCB TC UNI 7687	2,00			--
0018	RCVR00765		CONNECTOR -	1,00			--
0019	RCVR00764		CONNECTOR -	1,00			--
0020	GUVR00268		GASKET CT230	1,00			--
0021	MPVR05026		COVER RECOVERY TANK LID CT230	1,00			--
0022	MELF00053		LAMP -	1,00			--
0023	VTVT00752	SL04223	SCREW TC+ M.4,8-19	3,00			--
0024	VTVT01150		SCREW 4x10	1,00			--
0025	VTRS00570		WASHER -	1,00			--
0026	MPVR05596		PROTECTION -	1,00			--
0027	VTVT07725	SL04152	SCREW TE 5X16 UNI5739 INX	2,00			--
0028	LAFN08835		BRACKET -	1,00			--
0029	MECI00566		SENSOR -	1,00			--
0030	VTVT07725	SL04152	SCREW TE 5X16 UNI5739 INX	6,00			--
0031	VTRS00516	SL06034	WASHER D. 5 INX	6,00			--
0032	MPVR06012		TUBE CT230	1,00			--
0033	LAFN06998		HINGE -	2,00			--
0034	VTRS13750	SL06038	WASHER D. 5X14 INX	8,00			--
0035	VTVT00805	SL04310	SCREW TBEI M. 5-10	4,00			--
0036	TBFX00344		TUBE CT230	1,00			--
0037	VTVT01310		SCREW TCEI 8X60 INOX UNI5931	3,00			--
0038	LAFN03760	SL07195	SPACER RUOTA	3,00			--
0039	MOCC00271		MOTOR ASPIR.BIST.36V E-12416-2	1,00			--
0040	GUGO00272	SL03648	GASKET VACUUM MOTOR CT	1,00			--
0041	GUVR00269		GASKET -	1,00			--
0042	MPVR05027		COVER	1,00			--
0043	VTVT00657	SL04063	SCREW TCEI M. 5-30	5,00			--
0044	LAFN06999		NET -	1,00			--
0045	FTDP00186		FILTER	1,00			--
0046	MPVR05031		CAP -	1,00			--



Ref. K	Part n.	Customer part n.	Description	Quantity	Validity		Price
					From	To	
0047	VTRS00251	SL06031	WASHER 4-16 INOX A2	1,00			--
0048	VTVT15965	SL04346	SCREW TCB-TC 4X12 UNI7687 INX	1,00			--
0049	SESD45981	13201011	SEAT SC73 01.01.M4 PER TK1400	1,00			--
0050	VTVT13938	75362	SCREW TE 8X20 UNI5739 INX	2,00			--
0051	MPVR05029		COVER UNDER SEAT CT230	1,00			--
0052	CEVR00060	SL14379	HINGE PORTA SEDILE P185	2,00			--
0053	VTVT01300		SCREW TE M5X12 INOX	8,00			--
0054	VTRS13750	SL06038	WASHER D. 5X14 INX	8,00			--
0055	GUGO00307		GASKET TENUTA TAPPO	1,00			--
0056	GUGO00267	SL03627	GASKET FILTRO	1,00			--
0057	FTAC48857	SL03526	FILTER ASP. ACQUA SERB. LAVAP.	1,00			--
0058	GUVR01010		GASKET -	1,00			--
0059	VTAE00082		CIRCLIP D. 50 UNI 7435	1,00			--
0060	LAFN08976		BRACKET -	1,00			--
0061	KTRI15043		WATER FILTER DIRTY INLET TANK	1,00			--
0062	VTVT00727	SL04189	SCREW TE M. 4-20	2,00			--
0063	VTRS00251	SL06031	WASHER 4-16 INOX A2	2,00			--
0064	LAFN09008		SHEET METAL PA. -	1,00			--
0065	KTRI02014		KIT -	1,00			--
0066	LAFN08923		BULKWARD -	1,00			--
0067	RCVR00766		SENSOR ACQUASTOP AUTO FILLING	1,00			--
0068	GUVR01011		GASKET 1/2"	1,00			--
0069	RCVR00103	11760	JOINT R 1/2"	1,00			--
0070	VTVT01300		SCREW TE M5X12 INOX	4,00			--
0071	VTRS00515	SL06032	WASHER D. 4 INX	2,00			--
0072	RCVR00778		NIPPLE 1"1/2	1,00			--
0073	GUGO00319		O-RING 1"1/2	1,00			--
0074	RCVR00776		CONNECTION 1" 1/2	1,00			--
0075	MPVR06015		COVER -	1,00			--
0076	FSVR00033	70616	CLAMP 45-60	1,00			--
0077	MPVR06103		BRACKET -	1,00			--
0078	GUVR00320		GASKET -	1,00			--
0079	MPVR10814		CAP 2"	8,00			--
0080	MPVR10813		CAP 2"	8,00			--
0081	VTVT01708		SCREW STS-plus KN6038 8x50	1,00			--
0082	VTVT01708		SCREW STS-plus KN6038 8x50	1,00			--
0083	VTVT01708		SCREW STS-plus KN6038 8x50	1,00			--
0084	VTVT01709		SCREW STS-plus KN6039 8x25	1,00			--
0085	VTVT01709		SCREW STS-plus KN6039 8x25	1,00			--
0086	VTVT01708		SCREW STS-plus KN6038 8x50	1,00			--
0087	VTVT01708		SCREW STS-plus KN6038 8x50	1,00			--
0088	GUGO00506		O-RING OR158	16,00			--

Table: ELECTRIC DIAGR.

Progressive number: 1



PLD001921.1

Ref. K	Part n.	Customer part n.	Description	Quantity	Validity		Price
					From	To	
EV1	MEEV00021	SL18421	SOLENOID VALVE RIF. D160SS10/K20Z	1,00			--
M1	MOCC00385		DRIVE ASSEMBLY -	1,00			--
M2	MOCC00195	SL02048	MOTOR BRUSH P5 36V 550W	1,00			--
M3	MOCC00195	SL02048	MOTOR BRUSH P5 36V 550W	1,00			--
M5	MOCC00394		ATUATOR	1,00			--
M7	MOCC00388		ATUATOR BRUSH HEAD 36V 1500N	1,00			--
SK2	MECE00532		BOARD LOGIC CT160-CT230 CURTIS	1,00			--
SK3	MECE00526		BOARD POWER SERVICE CT160-CT230	1,00			--
TC	MECE00525		BOARD TRACTION CURTIS 36V 160A	1,00			--
TL1	METT00086		CONTACTOR 100A	1,00			--
TL2	METT00086		CONTACTOR 100A	1,00			--