

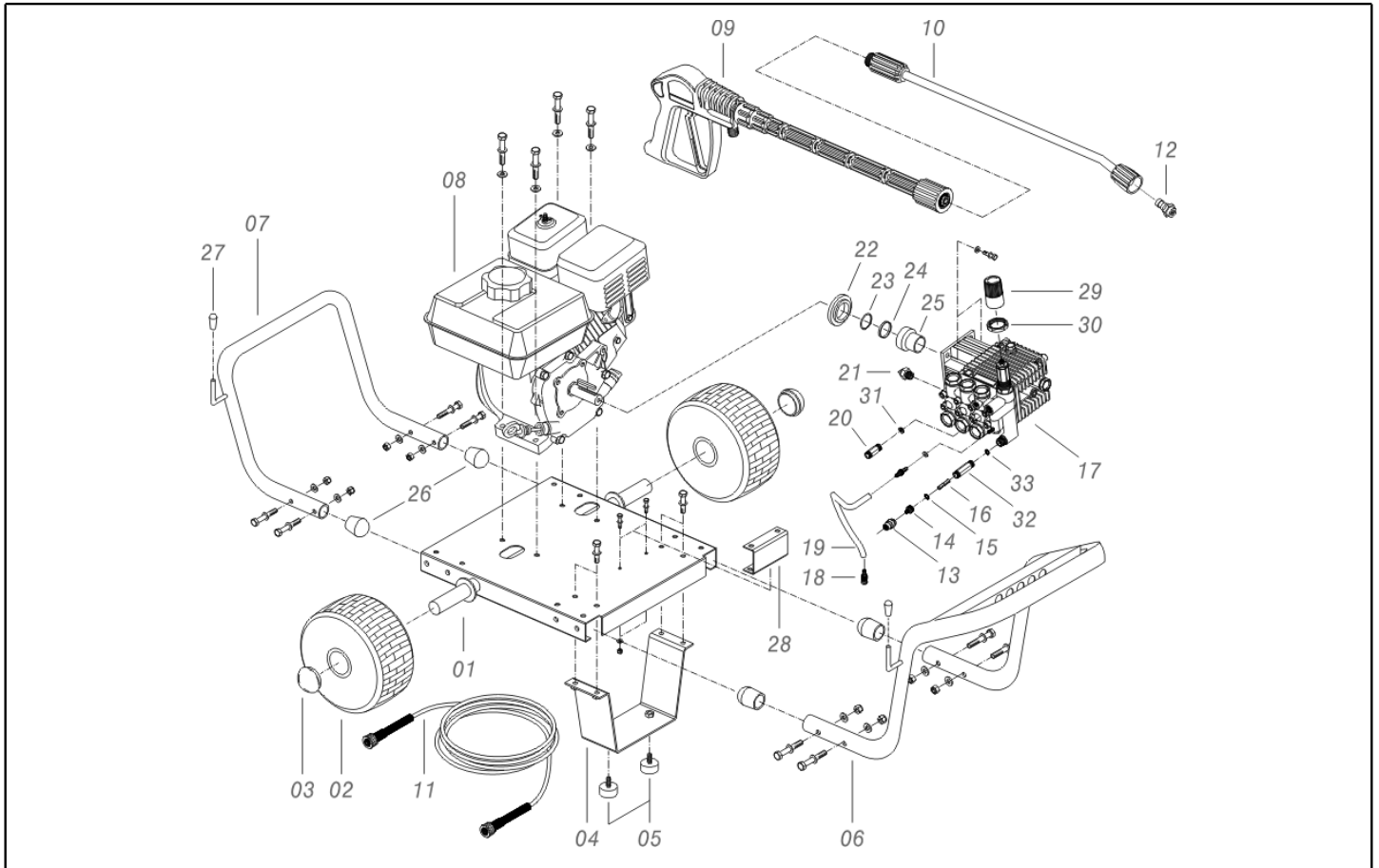


IPC

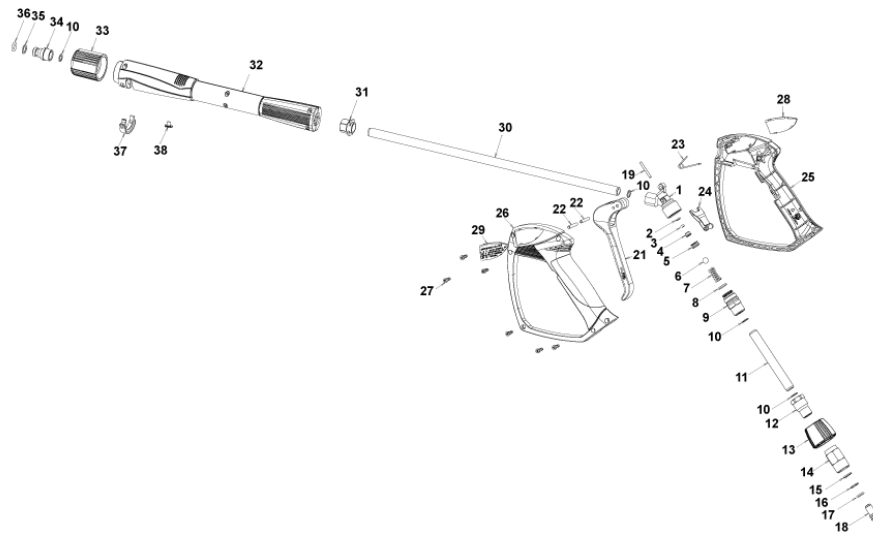
Spare parts list

Ref: IDAF40352

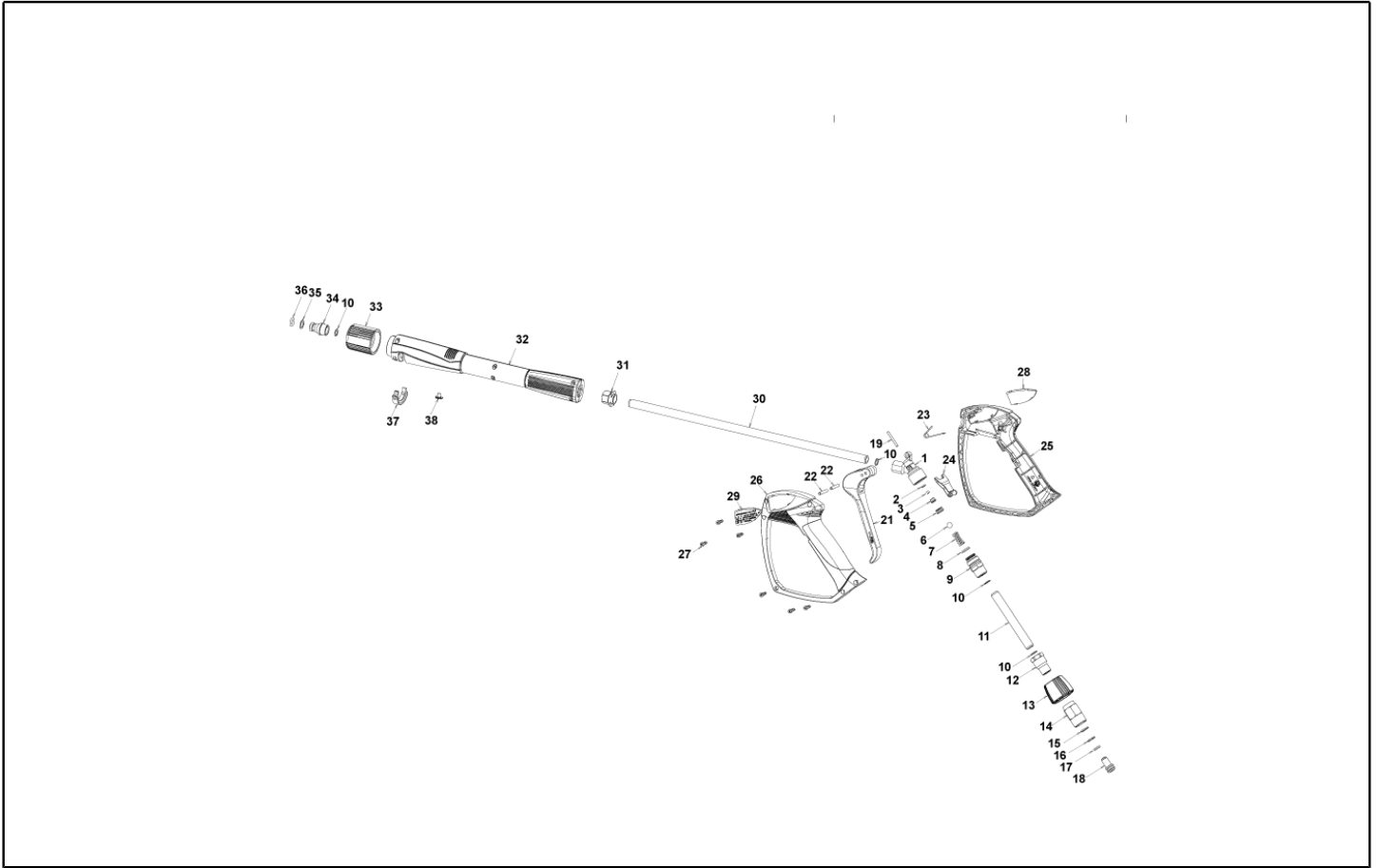
Model: H.P. CLEANER BENZ-C H1811Pi P IPC



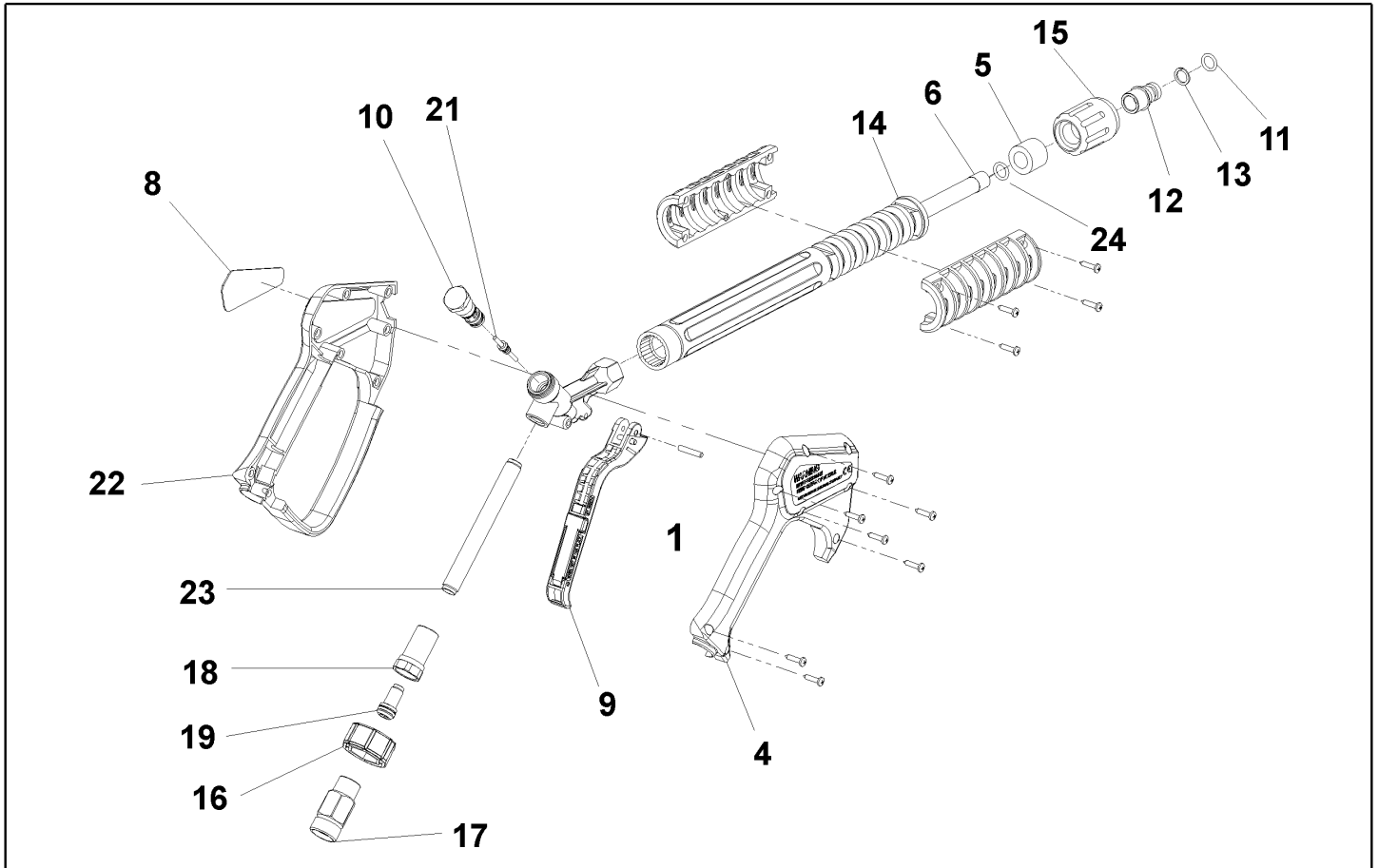
| Ref. K | Part n. | Customer part n. | Description | Quantity | Validity | | Price |
|--------|-----------|------------------|---|----------|------------|------------|-------|
| | | | | | From | To | |
| 0001 | LAFN40180 | | CHASSIS BENZ HP 6.5 | 1,00 | | | -- |
| 0002 | RTRT40007 | | WHEEL D. 11.4"X 4/4 -D.25 PN. | 2,00 | | | -- |
| 0003 | VTVR01268 | 00001268 | HUB CAP D. 25 | 2,00 | | | -- |
| 0004 | LAFN40182 | | FOOT BENZ HP 6.5 | 1,00 | | | -- |
| 0005 | MPVR60726 | 00060726 | VIBRATION DAMP. TCC48X25- 1M8X16 60SH GMM | 2,00 | | | -- |
| 0006 | LAFN40189 | | HANDLE BENZ HP 6.5 | 1,00 | | | -- |
| 0007 | LAFN40184 | | BUMPER BENZ HP 6.5 | 1,00 | | | -- |
| 0008 | MOSC40001 | | ENGINE MOTOR HONDA GX200UT1 QX-4 OH | 1,00 | | | -- |
| 0009 | IPPR40010 | | GRIP G 5100+P.330 +M22 SW.M V | 1,00 | 16/04/2014 | | -- |
| 0009 | IPPR89429 | | GRIP G 4500 - P.330 -M22SW.M V | 1,00 | | 15/04/2014 | -- |
| 0010 | LCPR40013 | | EXTENSION P 70 - HYPERJET 1/4F | 1,00 | | | -- |
| 0011 | TBAP25324 | 00025324 | H.P. HOSE R1 MT 10 5/16" C/2 IRV ZC | 1,00 | | | -- |
| 0012 | UGLN49990 | 00049990 | NOZZLE LECH 1/4 25034 | 1,00 | | | -- |
| 0013 | RCVR29600 | 00029600 | SOCKET PTC 3/4 F | 1,00 | | | -- |
| 0014 | RCVR29602 | 00029602 | CONNECTOR D. 1/2"-5/8" PTC | 1,00 | | | -- |
| 0016 | FTAC30214 | 00030214 | FILTER D.15X67 | 1,00 | | | -- |
| 0017 | PPAP40034 | | PUMP TT1511 SX C T.IN.2.0 FL/H | 1,00 | | | -- |
| 0018 | FTDT04648 | 00004648 | FILTER PG. D.6 PLS | 1,00 | | | -- |
| 0019 | TBBP00051 | 00000051 | DETERGENT HOSE D. 6-12 | 1,50 | | | -- |
| 0020 | RCDS10544 | 00010544 | NIPPLE M22-3/8 M-M D. 3 L=62 | 1,00 | | | -- |
| 0021 | VVSC37614 | 00037614 | VALVE 3/8" 63°C | 1,00 | | | -- |
| 0022 | LAFN40213 | | RING BENZ HP 6.5 AL. | 1,00 | | | -- |
| 0023 | GUGO26964 | 00026964 | O-RING D. 18.72 X 2.62 NBR 90SH | 1,00 | | | -- |
| 0024 | GUGO21339 | 00021339 | O-RING D. 29.82 X 2.62 VIT 70SH | 1,00 | | | -- |
| 0025 | RCDS40061 | | BUSHING HONDA 6.5HP | 1,00 | | | -- |
| 0026 | MPVR01697 | 00001697 | PROD D.30 1.02.109 | 4,00 | | | -- |
| 0027 | MPVR32471 | 00032471 | PROD D. 8 BK | 2,00 | | | -- |
| 0028 | LAFN40190 | | SUPPORT BRACKET BENZ HP 6.5 | 1,00 | | | -- |
| 0029 | PVVR18673 | 00018673 | KNOB COLT | 1,00 | | | -- |
| 0030 | RCDS21788 | 00021788 | RING NUT M 28 X 1.5 L=16 | 1,00 | | | -- |
| 0031 | GUGO03507 | 00003507 | O-RING D. 13.95 X 2.62 VIT 70SH | 1,00 | | | -- |
| 0032 | RCDS46109 | 00046109 | NIPPLE 3/4 - 1/2 RYL INX | 1,00 | | | -- |
| 0033 | GUGO01032 | 00001032 | O-RING D. 17.13 X 2.62 NBR 70SH | 1,00 | | | -- |



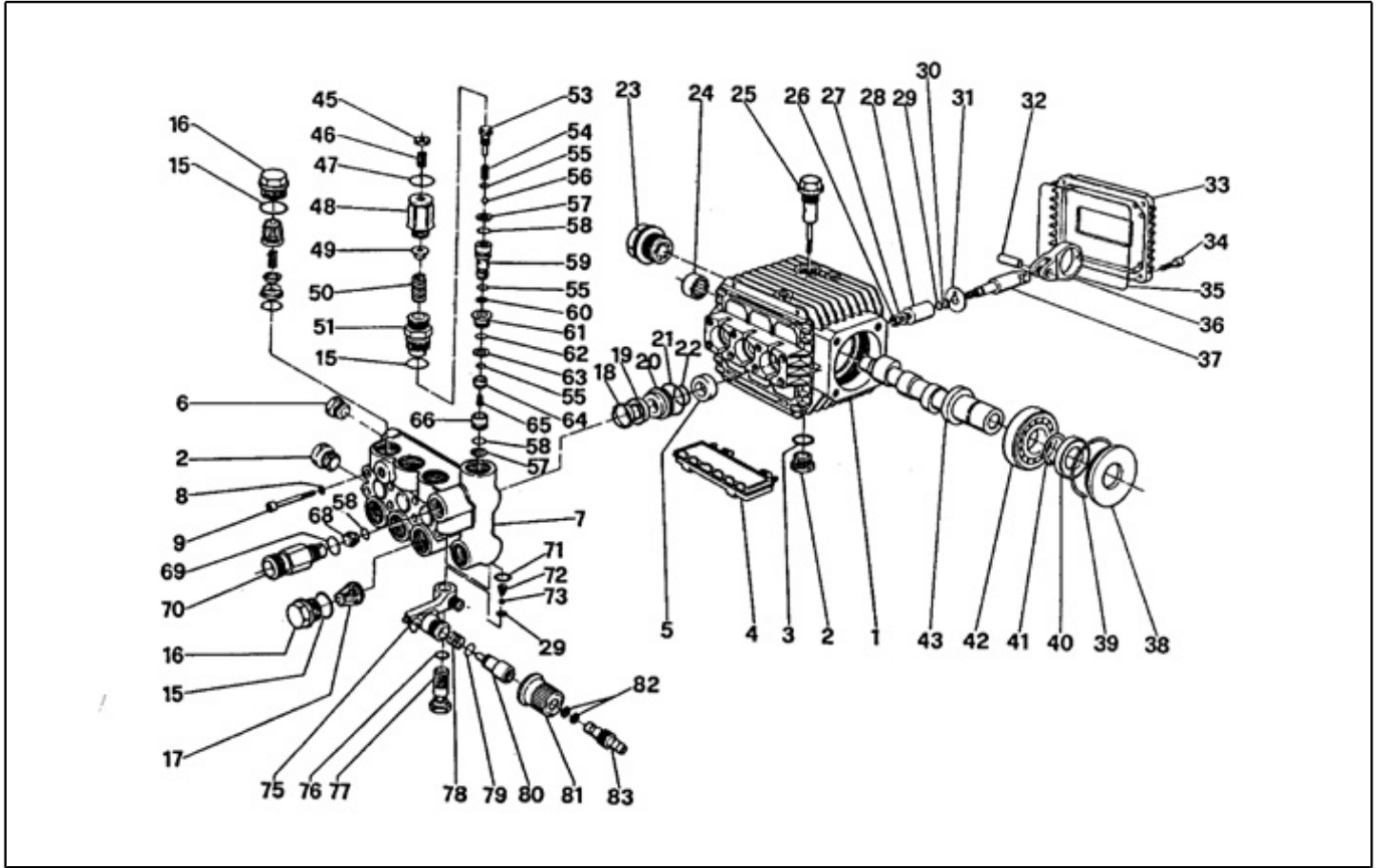
| Ref. K | Part n. | Customer part n. | Description | Quantity | Validity | | Price |
|--------|-------------|------------------|---------------------------------|----------|----------|----|-------|
| | | | | | From | To | |
| 0001 | PVVR40381 | | GUN BODY G 5100 G1/4F | 1,00 | | | -- |
| 0002 | S GUVR40074 | | ANTI-EXTR.RING D. 3 X 7.4X1.3 | 1,00 | | | -- |
| 0003 | S GUGO21835 | 00021835 | O-RING D. 2.84 X 2.62 VIT. 80SH | 1,00 | | | -- |
| 0004 | PVVR40382 | | PISTON GUIDE G 5100 | 1,00 | | | -- |
| 0005 | S PVVR40112 | | BALL SEAT G 5000 | 1,00 | | | -- |
| 0006 | S SFVR27026 | 00027026 | BALL D.11/32" INX | 1,00 | | | -- |
| 0007 | MLML40016 | | SPRING D. 9.4 x21.5x1.6 G5000 | 1,00 | | | -- |
| 0008 | GUGO12322 | 00012322 | O-RING D. 14 X 1.78 NBR 90SH | 1,00 | | | -- |
| 0009 | PVVR40383 | | CONNECTOR COLL.G5100 1/4F | 1,00 | | | -- |
| 0010 | VTRS40017 | | WASHER D. 8.2X11,4X1.00 | 4,00 | | | -- |
| 0011 | PVVR40384 | | TUBE G 1/4" L.105 | 1,00 | | | -- |
| 0012 | RCIN40022 | | CONNECTOR SWIV G5100 1/4F | 1,00 | | | -- |
| 0013 | MPVR40486 | | RING NUT G 5100 SW. GR. | 1,00 | | | -- |
| 0014 | RCIN40021 | | JOINT SWIV 5100 M22 | 1,00 | | | -- |
| 0015 | S GUVR40075 | | ANTI-EXTR.RING D. 10 X14X1.5 | 1,00 | | | -- |
| 0016 | S GUVR40076 | | ANTI-EXTR.RING D. 11.2X14X1.2 | 1,00 | | | -- |
| 0017 | S GUGO15295 | 00015295 | O-RING D. 10.82 X 1.78 VIT 75SH | 1,00 | | | -- |
| 0018 | PVVR40386 | | SCREW SW. G 5100 | 1,00 | | | -- |
| 0019 | PVVR40387 | | SMALL PISTON G 5100 | 1,00 | | | -- |
| 0021 | MPVR40487 | | TRIGGER G 5100-SW | 1,00 | | | -- |
| 0022 | VTVR40047 | | PLUG D. 4X29 | 2,00 | | | -- |
| 0023 | MLML40029 | | SPRING G 5100 | 1,00 | | | -- |
| 0024 | MPVR40488 | | SAFETY-DEVICE G 5100-SW | 1,00 | | | -- |
| 0025 | MPVR40489 | | SHELL G 5100-SW DX | 1,00 | | | -- |
| 0026 | MPVR40490 | | SHELL G 5100-SW SX | 1,00 | | | -- |
| 0027 | VTVT40043 | | SCREW AF 4X 14 HILO ZN.N | 6,00 | | | -- |
| 0028 | MPVR40491 | | PLATE G 5100 GR.DX | 1,00 | | | -- |
| 0029 | MPVR40492 | | PLATE G 5100 GR.SX | 1,00 | | | -- |
| 0030 | LCPR40086 | | TUBE 1/4 L=420 ZC. 0° | 1,00 | | | -- |
| 0031 | MPVR40493 | | CONNECTOR G 5100-SW | 1,00 | | | -- |
| 0032 | MPVR40494 | | PROTECTION P 420 C/AN. | 1,00 | | | -- |
| 0033 | PVVR40119 | | CONNECTION M22X1.5 IRV G5000 | 1,00 | | | -- |
| 0034 | RCIN40009 | | GUDGEON G 1/4 F IRV G5000 | 1,00 | | | -- |
| 0035 | GUVR40034 | | ANTI-EXTR.RING D. 10 X14 | 1,00 | | | -- |
| 0036 | GUGO01946 | 00001946 | O-RING D. 9.13 X 2.62 VIT 70SH | 1,00 | | | -- |
| 0037 | MPVR40495 | | CAP G 5100 REM. | 1,00 | | | -- |
| 0038 | MPVR40198 | | CAP G 5000 | 1,00 | | | -- |



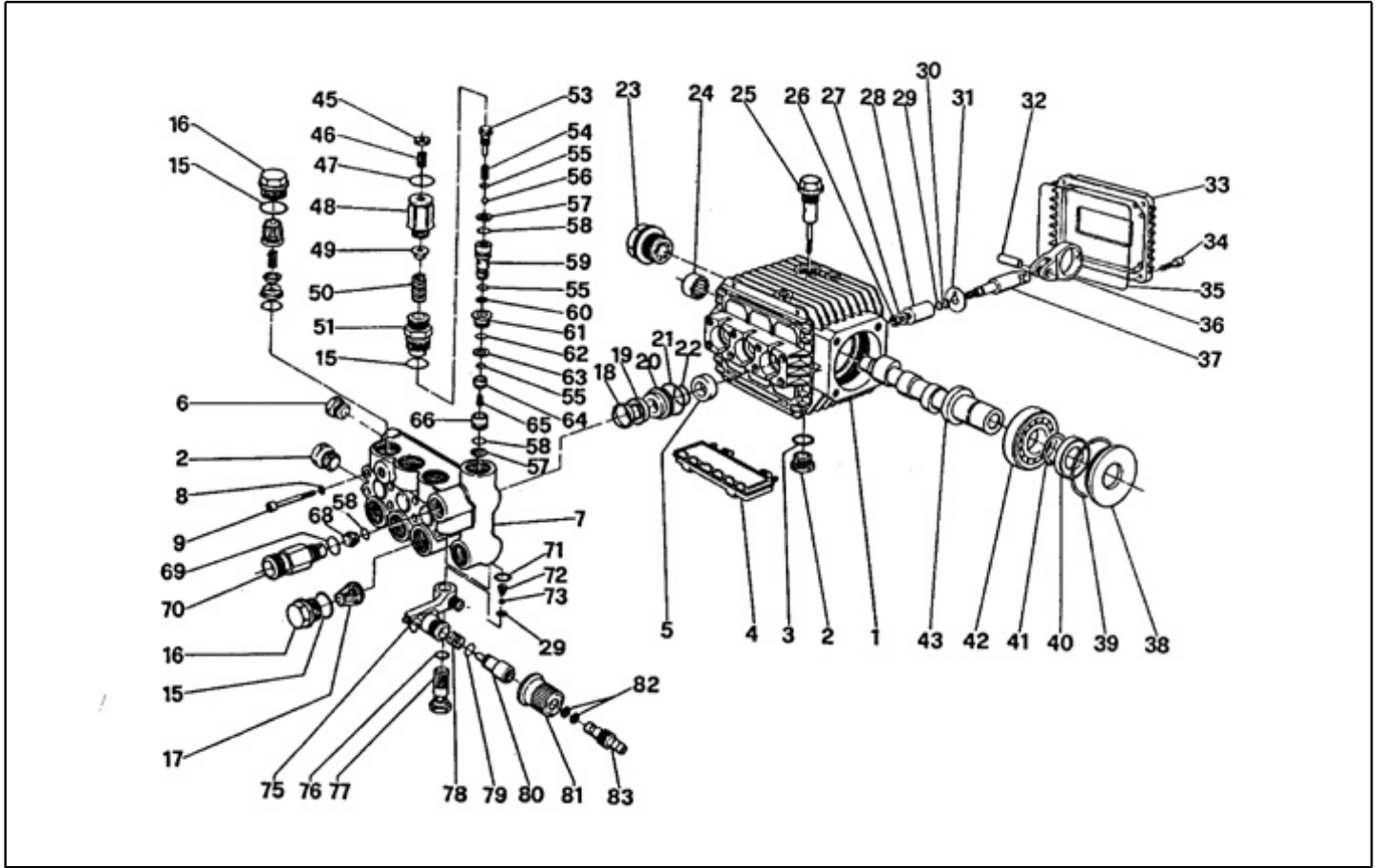
| Ref. Part n. | Cust. part n. | Description | Reference | Price |
|--------------|---------------|----------------------------|---------------------|-------|
| KTRI40242 | | KIT P 26- 25 G 5100 | 0002 0003 0005 0006 | -- |
| KTRI40243 | | KIT P 26- 26 SWIVEL G 5100 | 0015 0016 0017 | -- |



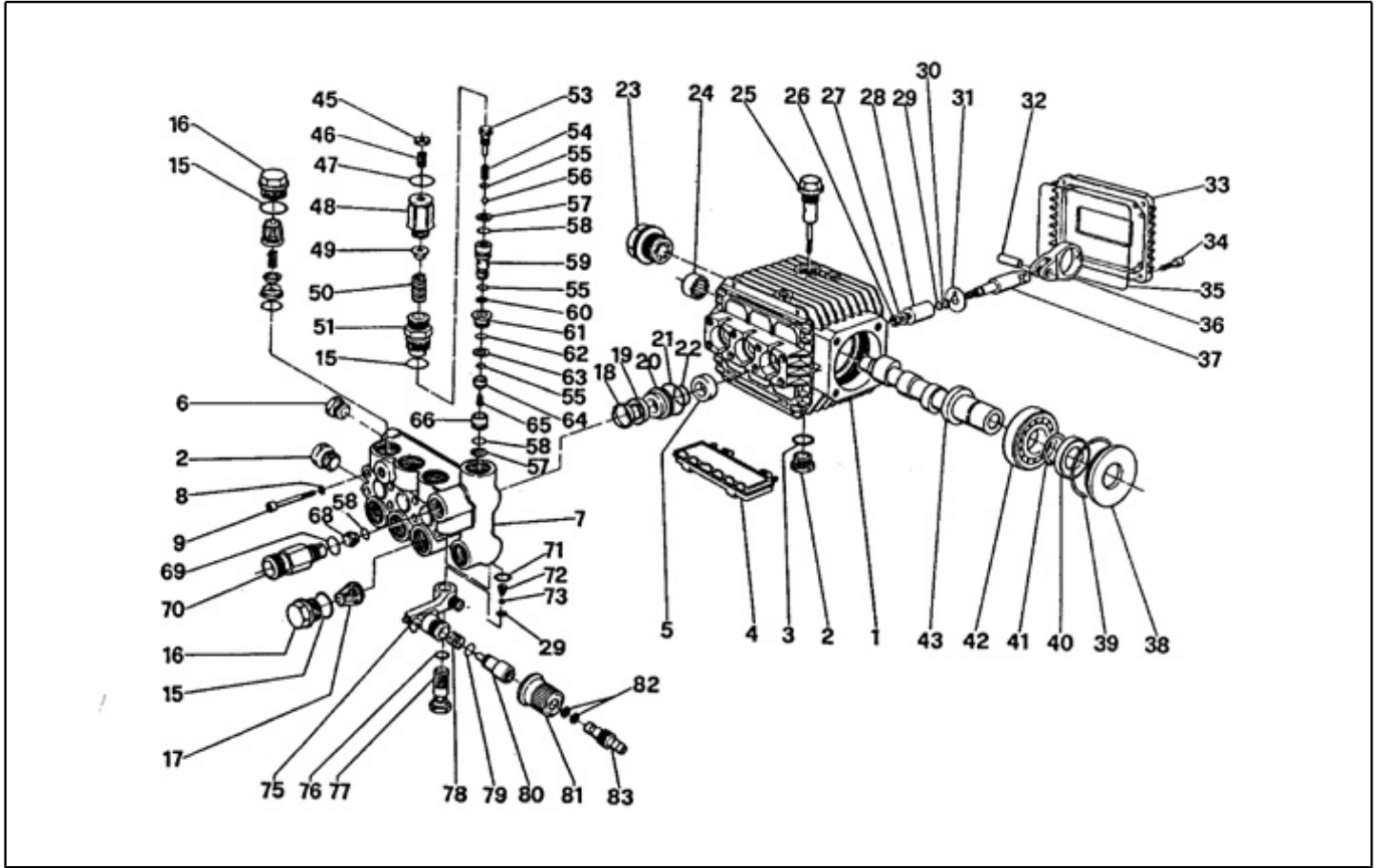
| Ref. K | Part n. | Customer part n. | Description | Quantity | Validity | | Price |
|--------|-----------|------------------|---------------------------------|----------|------------|------------|-------|
| | | | | | From | To | |
| 0001 | VTVR46568 | 00046568 | PLUG G 4500 | 1,00 | | | -- |
| 0004 | MPVR46563 | 00046563 | COVER G 4500 | 1,00 | | 30/04/2008 | -- |
| 0004 | MPVR40157 | | COVER G 4500 2V. | 1,00 | 01/05/2008 | | -- |
| 0005 | MPVR46572 | 00046572 | SPACER P 330 ST | 1,00 | | | -- |
| 0006 | LCPR46571 | 00046571 | TUBE 1/4 L=352 ZC. | 1,00 | | 30/04/2008 | -- |
| 0006 | LCPR40007 | | TUBE 1/4 L=352 ZC. 2V. | 1,00 | 01/05/2008 | | -- |
| 0008 | MPVR46569 | 00046569 | PLATE G 4500 RD. | 1,00 | | | -- |
| 0009 | MPVR40057 | | TRIGGER G 4500 -SW | 1,00 | | | -- |
| 0010 | PVVR40030 | | SMALL PISTON TM ST-2300 | 1,00 | | | -- |
| 0011 | GUGO10384 | 00010384 | O-RING D. 10 X 2.2 VIT 80SH | 1,00 | | | -- |
| 0012 | RCVR13030 | 00013030 | GUDGEON G 1/4 F L=31.5 | 1,00 | | | -- |
| 0013 | GUVR10526 | 00010526 | ANTI-EXTR.RING D.13.9X10.2 C.BZ | 1,00 | | | -- |
| 0014 | MPVR46570 | 00046570 | PROTECTION P 330 ST | 1,00 | | | -- |
| 0015 | PVVR13445 | 00013445 | CONNECTION M 22X1,5 L=45 | 1,00 | | | -- |
| 0016 | MPVR40058 | | RING NUT G4500 SW. | 1,00 | | | -- |
| 0017 | RCIN40001 | | JOINT SWIV 4500 3/8" F | 1,00 | | 30/04/2008 | -- |
| 0017 | RCIN40005 | | JOINT SWIV 4500 3/8" F 2V. | 1,00 | 01/05/2008 | | -- |
| 0018 | RCIN31641 | 00031641 | CONNECTOR SWIV 1500 F | 1,00 | | | -- |
| 0019 | KTRI31645 | 00031645 | KIT P 26- 14 | 1,00 | | | -- |
| 0021 | PVVR40031 | | ROD ST-2300 | 1,00 | | | -- |
| 0022 | MPVR46562 | 00046562 | SHELL G 4500 | 1,00 | | 30/04/2008 | -- |
| 0022 | MPVR40156 | | SHELL G 4500 2V. | 1,00 | 01/05/2008 | | -- |
| 0023 | PVVR40023 | | TUBE G 1/4" M/M P/SW. | 1,00 | | | -- |
| 0024 | GUGO27021 | 00027021 | O-RING D. 11 X 2.5 EPD 70SH | 1,00 | 01/05/2008 | | -- |



| Ref. K | Part n. | Customer part n. | Description | Quantity | Validity | | Price |
|--------|-------------|------------------|---------------------------------|----------|------------|------------|-------|
| | | | | | From | To | |
| 0001 | MFVR12641 | 00012641 | PUMP CRANKCASE WW 90B - 93B | 1,00 | | | -- |
| 0002 | RCDS01090 | 00001090 | CAP 3/8X13 M WW90 | 2,00 | | | -- |
| 0003 | GUGO01035 | 00001035 | O-RING D. 13.95 X 2.62 NBR 70SH | 1,00 | | | -- |
| 0004 | PVVR43778 | 00043778 | PROTECTION WW S.51 | 1,00 | | | -- |
| 0005 | S GUGO09690 | 00009690 | OIL SEAL 15X 24X 5 NBR70 | 3,00 | | | -- |
| 0006 | RCDS01088 | 00001088 | CAP 1/4X 9 M WW90 | 1,00 | | | -- |
| 0007 | MFVR18931 | 00018931 | HEAD WW 90 OT. V.INT. D.15 | 1,00 | | | -- |
| 0008 | VTRS01077 | 00001077 | WASHER D. 6,4X10X0,7 | 12,00 | | | -- |
| 0009 | VTVT06236 | 00006236 | SCREW TCCE UNI 5931 6X40 ZB | 8,00 | | | -- |
| 0015 | S GUGO01033 | 00001033 | O-RING D. 20.24 X 2.62 NBR 90SH | 7,00 | | | -- |
| 0016 | RCDS43779 | 00043779 | CAP M 24X1,5X11,2 WW | 6,00 | | | -- |
| 0017 | S VVAM28467 | 00028467 | VALVE UNIT "44" WW136-186 | 6,00 | | | -- |
| 0018 | S PVVR09327 | 00009327 | HEAD RING D. 15 | 3,00 | | | -- |
| 0019 | S GUVR09324 | 00009324 | PACKING D. 15 TURBO | 3,00 | | | -- |
| 0020 | S PVVR09687 | 00009687 | PACKING RETAIN. D. 15 BJ | 3,00 | | | -- |
| 0021 | S GUGO03506 | 00003506 | O-RING D. 25.12 X 1.78 NBR 70SH | 3,00 | | | -- |
| 0022 | S GUGO01054 | 00001054 | O-RING D. 15.08 X 2.62 NBR 70SH | 3,00 | | | -- |
| 0023 | PVVR01083 | 00001083 | OIL INDICATOR G 3/4 W70-151 | 1,00 | | | -- |
| 0024 | CUVR09639 | 00009639 | ROLLER BEARING BK 1516V | 1,00 | | | -- |
| 0025 | PVVR01089 | 00001089 | OIL DIPSTICK W 70 | 1,00 | | | -- |
| 0026 | VTDD04284 | 00004284 | NUT M8X1,25 X13X5 S2 INX | 3,00 | | | -- |
| 0027 | VTRS09321 | 00009321 | WASHER D. 8X13X1 | 3,00 | | 29/07/2002 | -- |
| 0027 | VTRS46027 | 00046027 | WASHER D. 8 C/CLL. | 3,00 | 30/07/2002 | | -- |
| 0028 | PIVR09641 | 00009641 | PISTON D.15 BJ WH. | 3,00 | | | -- |
| 0029 | GUGO01055 | 00001055 | O-RING D. 5.28 X 1.78 VIT 70SH | 3,00 | | | -- |
| 0030 | GUVR10257 | 00010257 | ANTI-EXTR.RING WW161 | 3,00 | | | -- |
| 0031 | VTRS09320 | 00009320 | WASHER D. 9X23X0,5 | 3,00 | | | -- |
| 0032 | PVVR09646 | 00009646 | GUDGEON D. 8X24,5 BJ | 3,00 | | | -- |
| 0033 | MFVR09643 | 00009643 | CRANKCASE COVER BJ | 1,00 | | | -- |
| 0034 | VTVT01115 | 00001115 | SCREW TCEI 6X18 | 4,00 | | | -- |
| 0035 | GUGO27617 | 00027617 | O-RING D. 88.57 X 2.62 NBR 70SH | 1,00 | | | -- |
| 0036 | BLVR43780 | 00043780 | CONNECTING ROD WW S.51 | 3,00 | | | -- |
| 0037 | PVVR09642 | 00009642 | PISTON GUIDE BJ | 3,00 | | | -- |
| 0038 | MFVR03565 | 00003565 | SPACER W 70 | 1,00 | | | -- |
| 0039 | GUGO01040 | 00001040 | O-RING D. 55.56 X 3.53 NBR 70SH | 1,00 | | | -- |
| 0040 | GUGO12643 | 00012643 | OIL SEAL 30X 42X 7 NBR70 | 1,00 | | | -- |
| 0041 | VTAE12644 | 00012644 | CIRCLIP ESTERNO DIN 471 D.30 | 1,00 | | | -- |
| 0042 | CUVR12645 | 00012645 | BALL BEARING 6206 | 1,00 | | | -- |
| 0043 | ALMO40002 | | SHAFT WW "C" C.6.6 D.18 | 1,00 | | | -- |
| 0045 | VTDD09708 | 00009708 | NUT M 8 UNI 5589 | 1,00 | | | -- |
| 0046 | VTVT20196 | 00020196 | SCREW EI-ST 8X20 UNI5923 | 1,00 | | | -- |
| 0047 | GUGO01057 | 00001057 | O-RING D. 20.35 X 1.78 NBR 70SH | 1,00 | | | -- |
| 0048 | PVVR18672 | 00018672 | REGISTER COLT | 1,00 | | | -- |
| 0049 | PVVR11656 | 00011656 | SPRING PLATE W1 | 1,00 | | | -- |



| Ref. K | Part n. | Customer part n. | Description | Quantity | Validity | | Price |
|--------|-------------|------------------|---------------------------------|----------|------------|------------|-------|
| | | | | | From | To | |
| 0050 | MLML11655 | 00011655 | SPRING D.15X35 | 1,00 | | | -- |
| 0051 | S PVVR18671 | 00018671 | BUSHING COLT | 1,00 | | | -- |
| 0053 | S PVVR18670 | 00018670 | LIMIT SWITCH COLT | 1,00 | | | -- |
| 0054 | S MLML20195 | 00020195 | SPRING D. 6.1X19 | 1,00 | | | -- |
| 0055 | S GUGO03497 | 00003497 | O-RING D. 6.75 X 1.78 VIT 80SH | 3,00 | | | -- |
| 0056 | S SFVR12904 | 00012904 | BALL D. 9/32 W1 INX | 1,00 | | 31/03/2009 | -- |
| 0056 | S PVVR89063 | | COUPLING V.INT. "H" | 1,00 | 01/04/2009 | | -- |
| 0057 | S GUVR11651 | 00011651 | ANTI-EXTR.RING D. 10.6X15X2 | 2,00 | | | -- |
| 0058 | S GUGO03501 | 00003501 | O-RING D. 9.92 X 2.62 VIT 70SH | 2,00 | | | -- |
| 0059 | S PVVR18669 | 00018669 | CONTROL PISTON COLT | 1,00 | | | -- |
| 0060 | S GUVR04309 | 00004309 | ANTI-EXTR.RING HM | 2,00 | | | -- |
| 0061 | S PVVR11653 | 00011653 | VALVE GUIDE CONTROL SET W1 | 2,00 | | | -- |
| 0062 | S GUGO11652 | 00011652 | O-RING D. 12.42 X 1.78 NBR 70SH | 1,00 | | | -- |
| 0063 | S GUVR11650 | 00011650 | ANTI-EXTR.RING CONTROL SET W1 | 1,00 | | | -- |
| 0064 | S PVVR18668 | 00018668 | VALVE CLT | 1,00 | | | -- |
| 0065 | S VTVT18667 | 00018667 | SCREW M 5X0,8X7,5 | 1,00 | | | -- |
| 0066 | S PVVR12887 | 00012887 | VALVE SEAT CONTROL SET W1 | 1,00 | | | -- |
| 0068 | UGEI09840 | 00009840 | NOZZLE D. 2.0 OT58 | 1,00 | | | -- |
| 0069 | GUGO03507 | 00003507 | O-RING D. 13.95 X 2.62 VIT 70SH | 1,00 | | | -- |
| 0070 | RCDS10544 | 00010544 | NIPPLE M22-3/8 M-M D. 3 L=62 | 1,00 | | | -- |
| 0071 | GUGO03496 | 00003496 | O-RING D. 9.25 X 1.78 NBR 70SH | 1,00 | | | -- |
| 0072 | MLML04264 | 00004264 | SPRING D. 4.3X11X7.3 KR | 1,00 | | | -- |
| 0073 | SFVR04274 | 00004274 | BALL D. 7/32 | 1,00 | | | -- |
| 0075 | PVVR18713 | 00018713 | METERING. BODY COLT | 1,00 | | | -- |
| 0076 | GUGO01036 | 00001036 | O-RING D. 10.82 X 1.78 NBR 70SH | 1,00 | | | -- |
| 0077 | PVVR09709 | 00009709 | VALVE SEAT KR | 1,00 | | | -- |
| 0078 | MLML03616 | 00003616 | SPRING D. 9.75X10 | 1,00 | | | -- |
| 0079 | GUGO19398 | 00019398 | O-RING D. 8.73 X 1.78 VIT 70SH | 1,00 | | | -- |
| 0080 | PVVR09711 | 00009711 | COUPLING KR | 1,00 | | | -- |
| 0081 | PVVR09712 | 00009712 | KNOB KR P33 | 1,00 | | | -- |
| 0082 | GUGO08071 | 00008071 | O-RING D. 4.48 X 1.78 NBR 70SH | 2,00 | | | -- |
| 0083 | RCIN09713 | 00009713 | COUPLING KR | 1,00 | | | -- |



| Ref. Part n. | Cust. part n. | Description | Reference | Price |
|--------------|---------------|-----------------------|---|-------|
| KTRI18651 | | KIT P 83 | 0005 | -- |
| KTRI18654 | | KIT P 15- 86 | 0020 0021 0022 | -- |
| KTRI20717 | | KIT P 15-102P SF.ACC. | 0051 0053 0054 0055 0056 0057 0058 0059 0060 0061 0062 0063 0064 0065 0066 | -- |
| KTRI21664 | | KIT P 96 | 0018 0019 0020 0021 0022 | -- |
| KTRI21665 | | KIT P 97 | 0018 0019 0021 0022 | -- |
| KTRI28508 | | KIT P 15-123 | 0017 | -- |
| KTRI18655 | | KIT P 102 | 0051 0053 0054 0055 0056 0057 0058 0059 0060 0061 0062 0063 0064 0065 0066 | -- |