

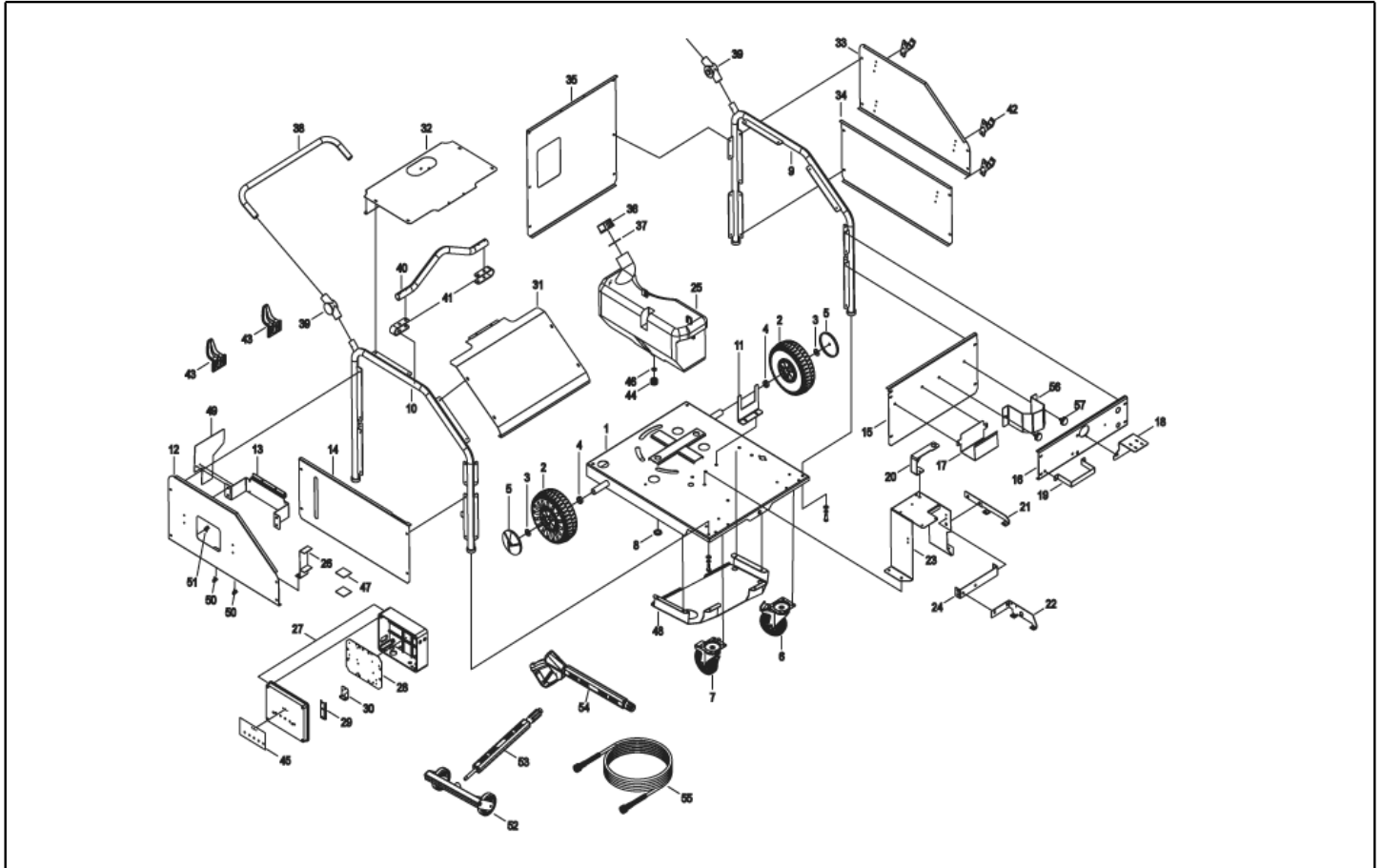


**IPC**

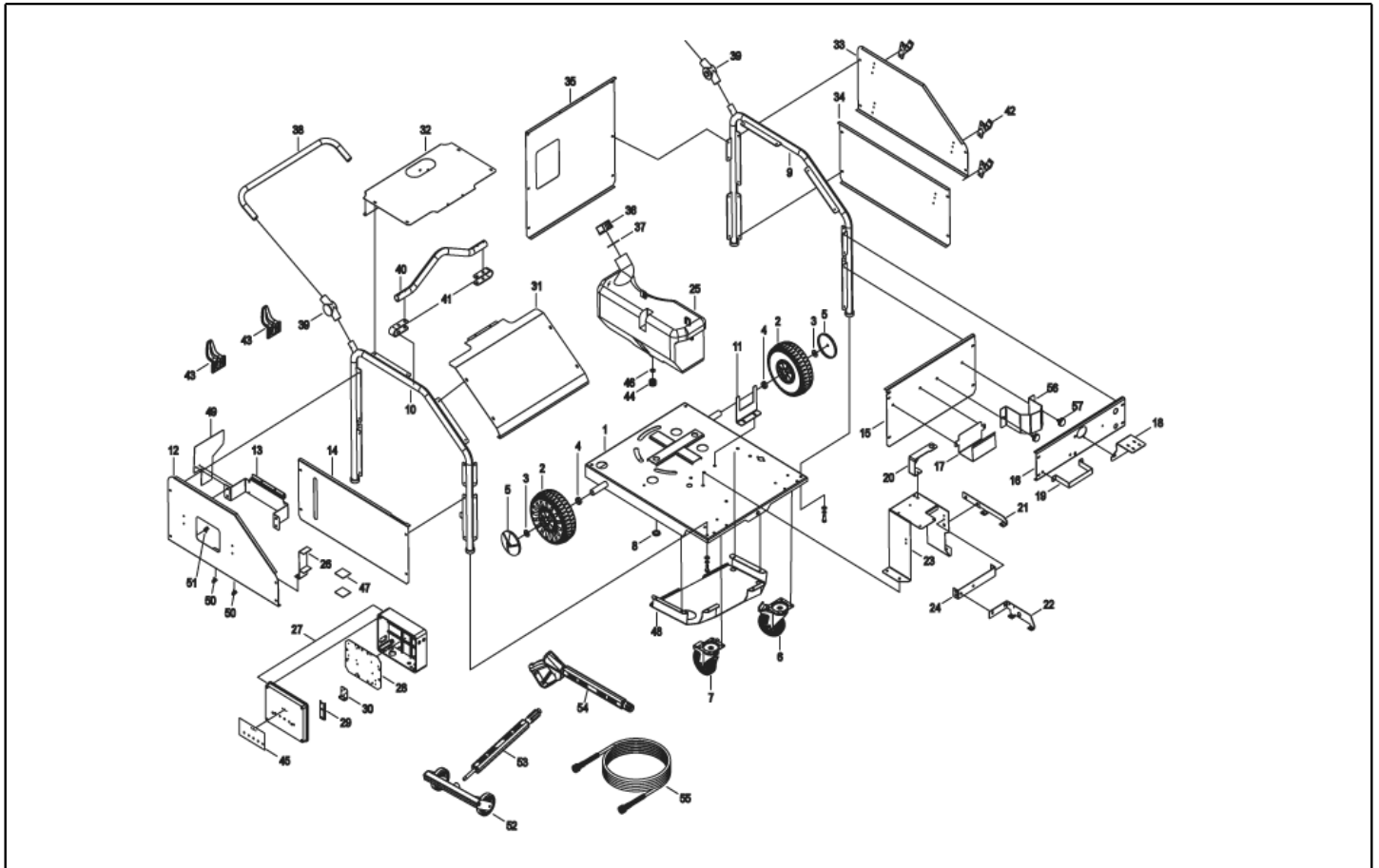
**Spare parts list**

Ref: GNVA40051

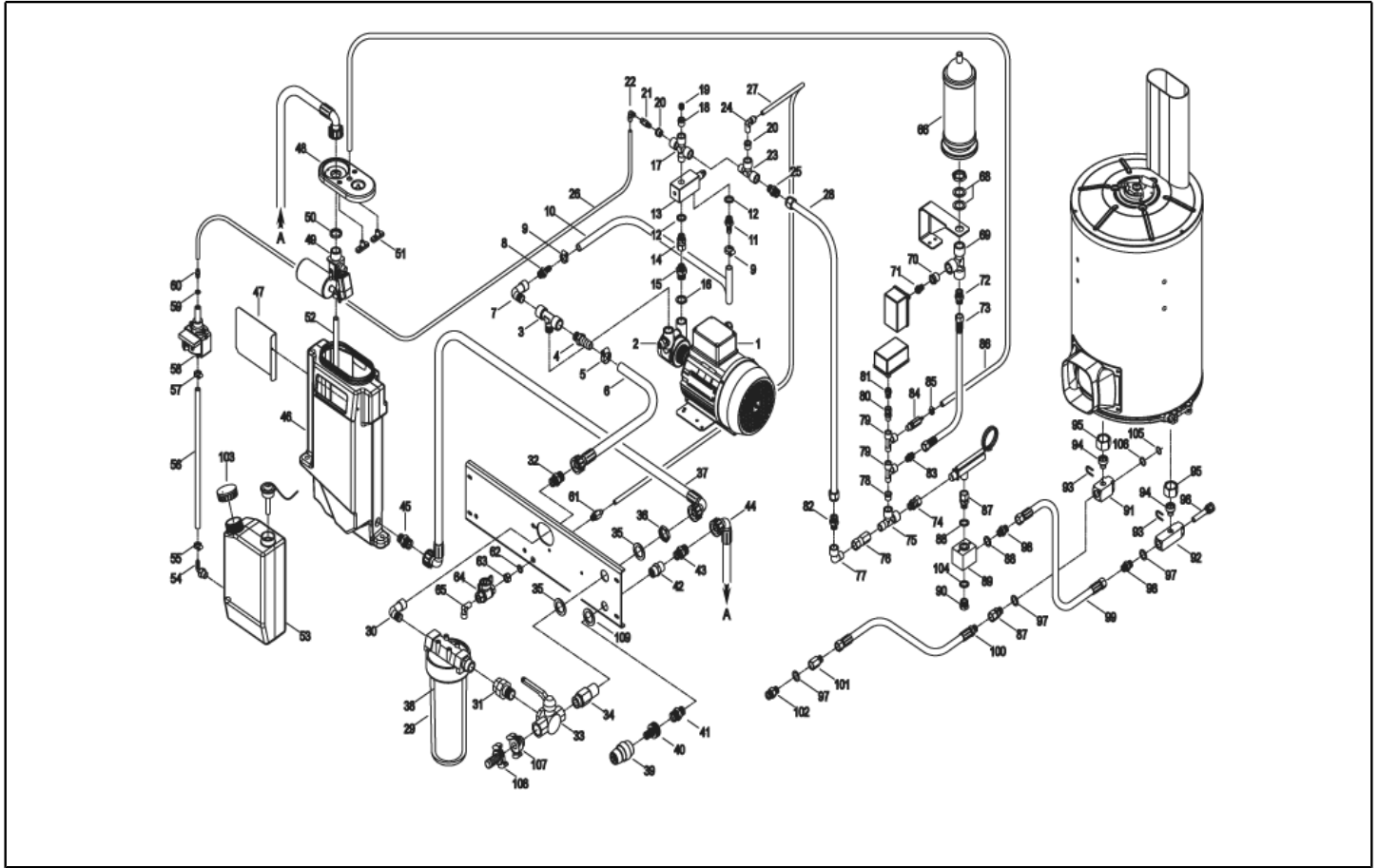
Model: GENERATOR GREEN JT.1010 M230/50 IPC



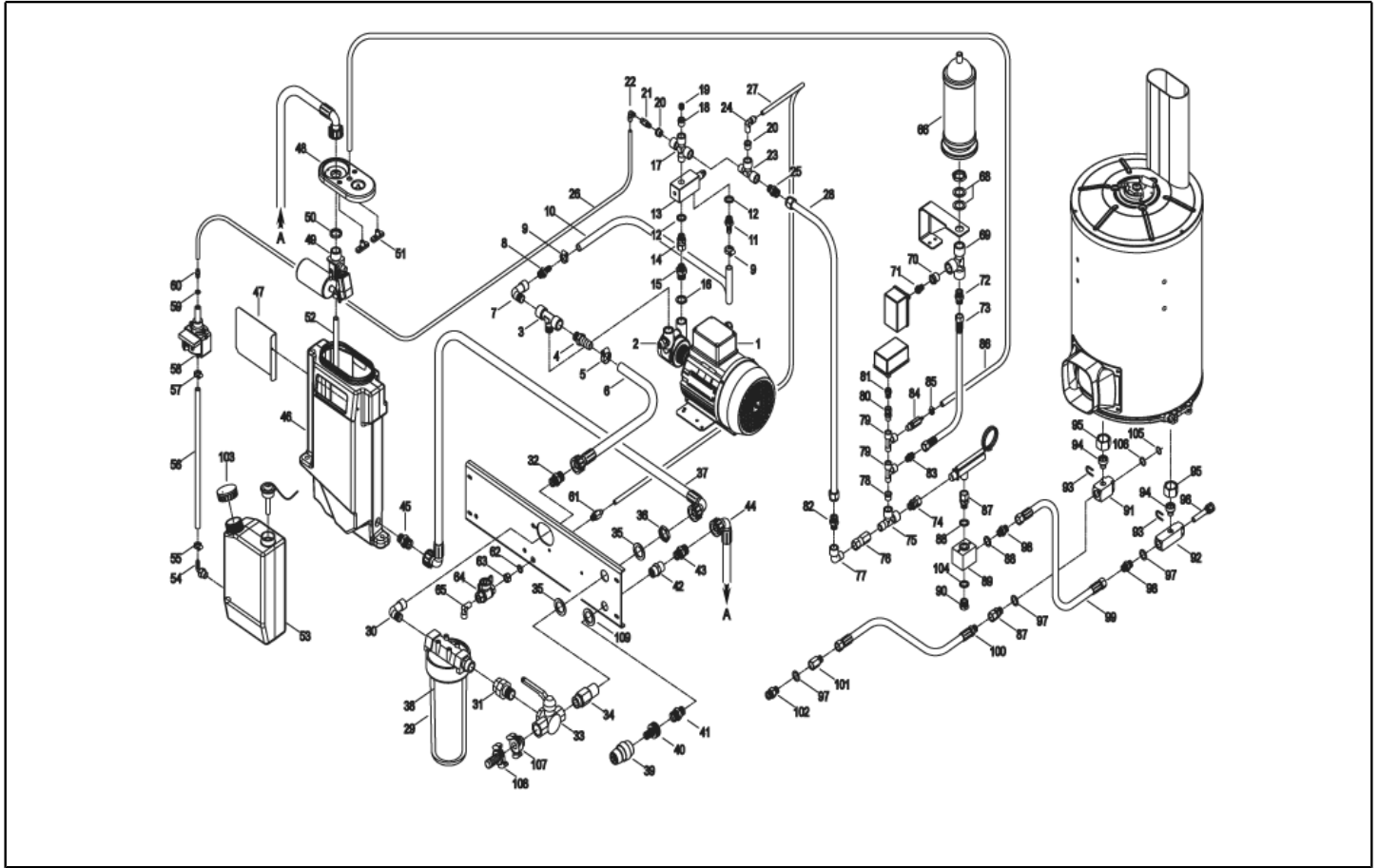
Ref. K	Part n.	Part n. 2	Description	Quantity	Validity		Price
					From	To	
0001	LAFN41082		TROLLEY GREEN JT. BK.	1,00			--
0002	RTRT40002		WHEEL D.260 3.00-4 D.25 S.PI.NY	2,00			--
0003	VTRS09813		WASHER D.25	2,00			--
0004	MPVR29447		SPACER D. 26-30 L=10 PVC	2,00			--
0005	MPVR28995		GREY HUB CAP D. 110	2,00			--
0006	RTRT13708		TURNING WHEEL D.125 P. MZ.PLS	1,00			--
0007	RTRT07480		TURNING WHEEL D.125 P.MZ.PLS.	1,00			--
0008	RCDS21120		RING NUT M 26 X 1,5	2,00			--
0009	LAFN41078		TUBULAR FRAME GREEN JT. SX	1,00		30/06/2019	--
0009	LAFN41184		TUBULAR FRAME GREEN JT. SX 2V.	1,00	01/07/2019		--
0010	LAFN41072		TUBULAR FRAME GREEN JT. DX	1,00		30/06/2019	--
0010	LAFN41183		TUBULAR FRAME GREEN JT. DX 2V.	1,00	01/07/2019		--
0011	LAFN41149		BRACKET VENT. GR.JT. ZC	1,00			--
0012	LAFN41092		SUPPORT BRACKET GREEN JT. ZC	1,00			--
0013	LAFN41079		LAT. PANEL GREEN JT. DX AL.	1,00			--
0014	LAFN41077		LAT. PANEL GREEN JT. DX BK.	1,00			--
0015	LAFN41071		ANT. PANEL GREEN JT. IF.BLK	1,00		30/09/2019	--
0015	LAFN41212		ANT. PANEL GREEN JT. IF.2V.BLK	1,00	01/10/2019		--
0016	LAFN41073		ANT. PANEL GREEN JT. SP.AL.	1,00			--
0017	LAFN41098		SUPPORT BRACKET GREEN JT.BK.	1,00			--
0018	LAFN41097		FILTER BRACKET GREEN JT. AL.	1,00			--
0019	LAFN41083		BRACKET GREEN JT. A.CLC.AL.	1,00			--
0020	LAFN41099		BRACKET GREEN JT. ZC	1,00			--
0021	LAFN41096		BRACKET GREEN JT. DX ZC.	1,00			--
0022	LAFN41095		BRACKET GREEN JT. SX ZC.	1,00			--
0023	LAFN41093		MOTOR SUPPORT GREEN JT. ZC.	1,00			--
0024	LAFN41094		SPACER GREEN JT. ZC.	1,00			--
0025	MPVR47226		FUEL TANK FUT.2 PEHD.NT	1,00			--
0026	LAFN43558		SUPPORT STEAM.JT.7140T	1,00			--
0027	MEVR40243		BOX GWS 240X190X90 GREEN.JT.	1,00			--
0028	LAFN41088		PLATE GREEN.JT ZC.	1,00			--
0029	LAFN40534		SUPPORT L.86 P176/7.5	1,00			--
0030	LAFN40279		SUPPORT BRACKET SV.2900 ZC.	1,00			--
0031	LAFN41085		COVERING GREEN JT. AL.	1,00			--
0032	LAFN41141		COVERING GREEN JT. PST AL.	1,00			--
0033	LAFN41075		LAT. PANEL GREEN JT. SX AL.	1,00			--
0034	LAFN41143		LAT. PANEL GREEN JT. SX	1,00			--
0035	LAFN41177		BACK PANEL GREEN JT. AL.	1,00			--
0036	MPVR11192		TANK CAP FLL	1,00			--
0037	GUGO11707		GASKET FLL POR2986	1,00			--
0038	LAFN41114		HANDLE GREEN JET	1,00		30/06/2019	--
0038	LAFN41188		HANDLE GREEN JET 2V.	1,00	01/07/2019		--
0039	MPVR40988		ARTICULATION GREEN JT.	2,00		30/06/2019	--
0040	LAFN41115		ARM GREEN JT. RD	1,00			--



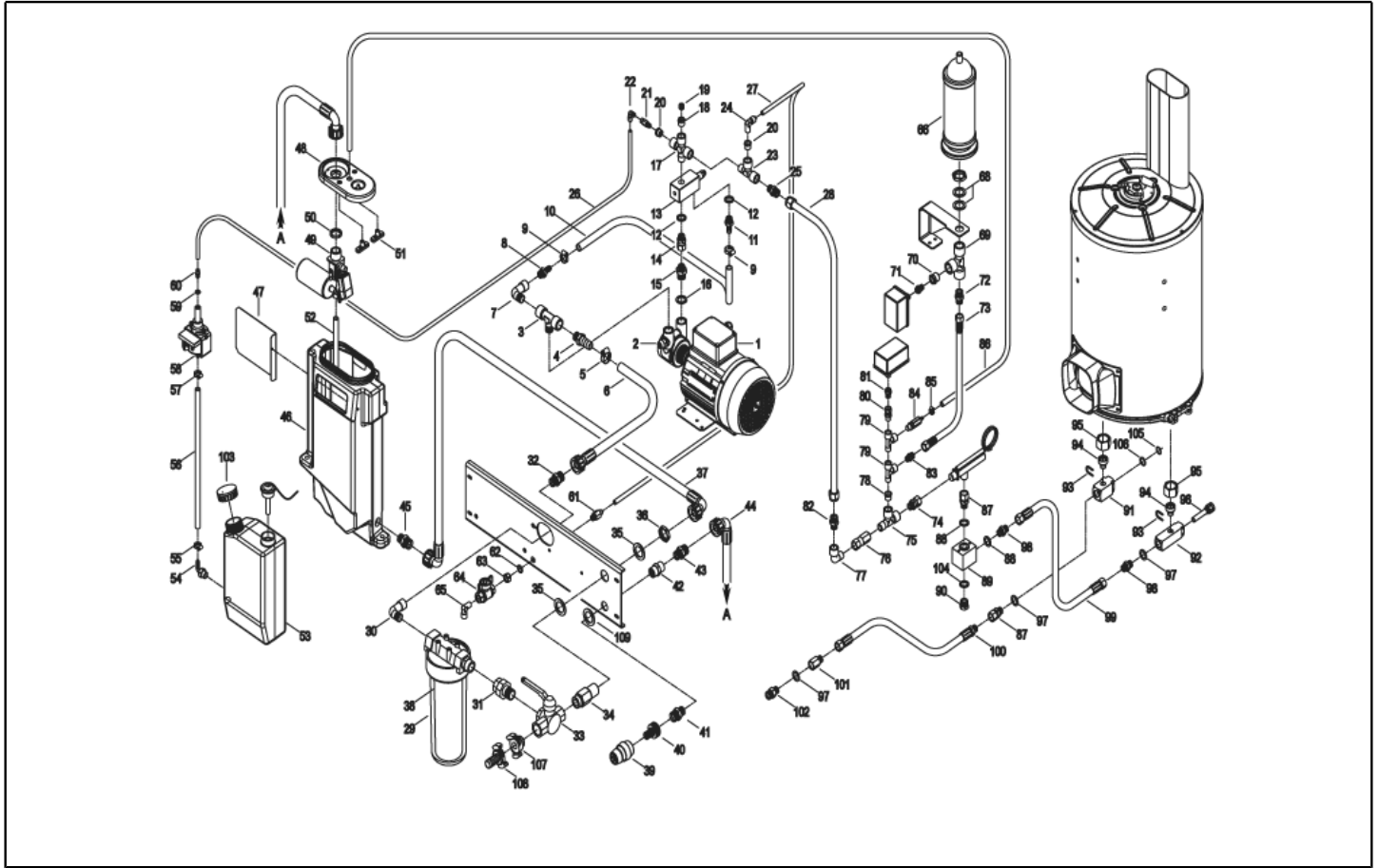
Ref. K	Part n.	Part n. 2	Description	Quantity	Validity		Price
					From	To	
0041	LAFN41116		FLANGE GREEN JT. RD.	2,00			--
0042	MPVR14947		LANCE REST NYL 66	4,00			--
0043	MPVR80139		HOSE REEL H110	2,00			--
0044	PVVR11806		DISCHARGE CAP FLL	1,00			--
0045	ETET41353		LABEL GREEN JT. IPC PLC.	1,00			--
0046	GUGO11489		GASKET D.22X1,5	1,00			--
0047	MPVR41927		SUPPORT BT500/8 A.TE	2,00			--
0048	LAFN41210		PROTECTION GREEN JT. BK	1,00	01/10/2019		--
0049	LAFN41191		PROTECTION TRASF. AT GR.JT	1,00	01/07/2019		--
0050	MEVR23548		CLIP KSM	2,00			--
0051	MEVR15389		CLIP F-0201	1,00			--
0052	LCLC40023		ACCESSORY WEEDLESS L-030 +IRV WH.	1,00			--
0053	LCLC40026		LANCE L= 50 L 35 +PRT.-1/4+M22	1,00			--
0054	IPPR40027		GRIP ML 330+P.350 +M22 SW.M/AR	1,00			--
0055	TBAP39122		H.P. HOSE R1 MT 20 5/16"IRV-SW.A.MC	1,00			--
0056	LAFN41211		PROTECTION GREEN JT. BK	1,00	01/10/2019		--
0057	VTVR20078		HANDWHEEL M 6MAX15-LP 30	2,00	01/10/2019		--



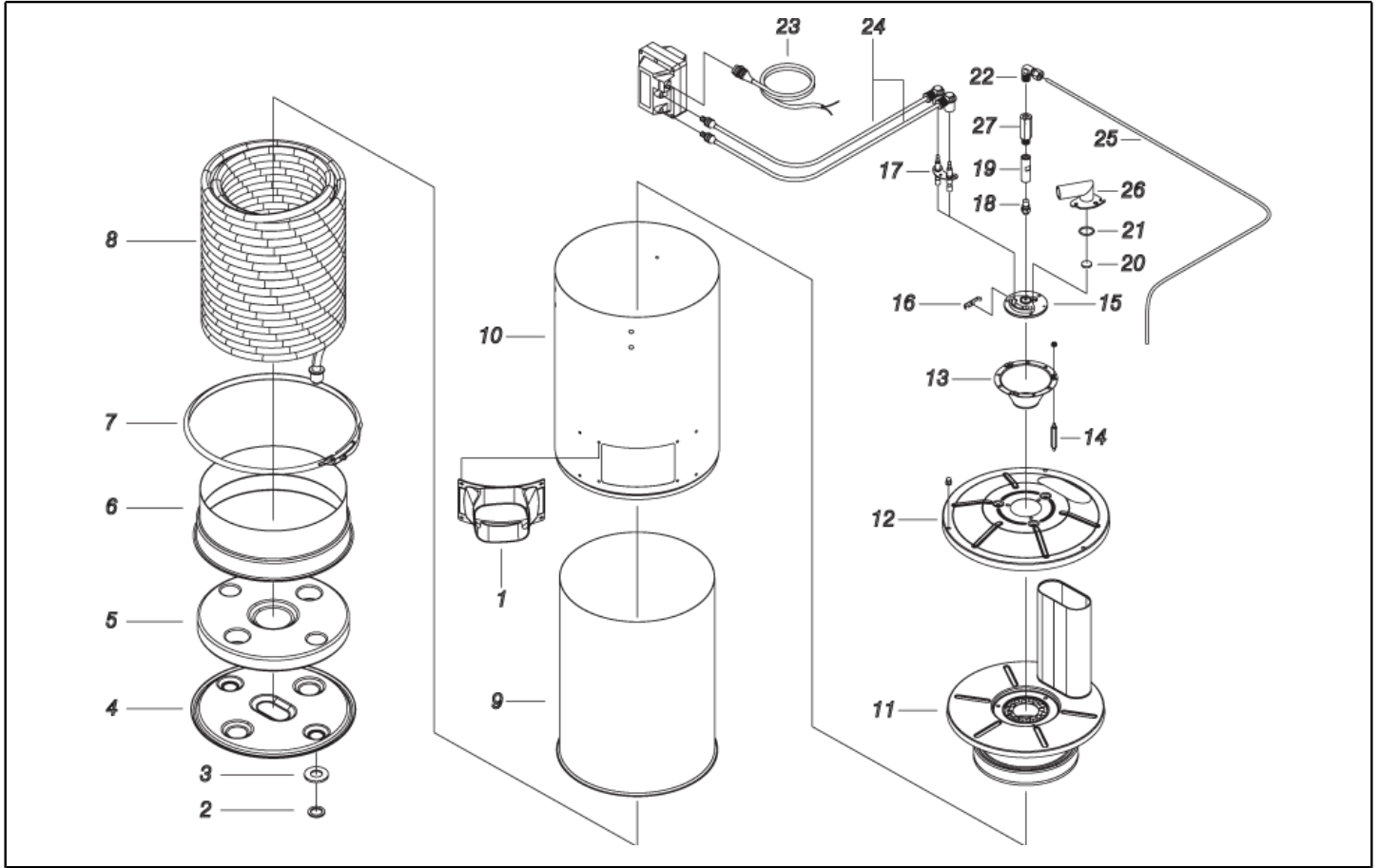
Ref. K	Part n.	Part n. 2	Description	Quantity	Validity		Price
					From	To	
0001	MOMO40077		1PH MOTOR RPM 550 W 230-50 IP55	1,00			--
0002	PPBP40002		PUMP 800LT/H S/BY-P OT PRG8AH	1,00			--
0003	RCVR04870		TEE UNION 1/2 F/M/F NIK A 12	1,00			--
0004	RCVR40039		HOSE FITTING 1/2 M D.12-16 NIK	1,00			--
0005	FSVR00431		CLAMP D. 16-25	2,00			--
0006	TBBP40144		L.P. HOSE L=270 3/4F 0° -LIB.15X23	1,00			--
0007	RCVR00575		ELBOW 1/2" M/F A10	1,00			--
0008	RCVR40099		HOSE FITTING 1/2 M D. 7-10 NIK CN.	1,00			--
0009	FSVR00428		CLAMP D. 12-20	2,00			--
0010	TBCO15910		L.P. HOSE D.10-19	0,40			--
0011	RCVR40067		HOSE FITTING 3/8 M D.10 OT.NIK	1,00			--
0012	VTRS00548		WASHER D.17,5X23X1,5 (3/8)RM	2,00			--
0013	VVAZ40098		VALVE BY-PASS E. G3/8 NBR/INX	1,00			--
0014	RCVR00563		SWIVEL RACCORD 3/8 M/F	1,00			--
0015	RCVR40129		NIPPLE 1/2 - 3/8 CONICO D.15	1,00			--
0016	VTRS00549		WASHER D.21,5X27X1,5 (1/2) RM	1,00			--
0017	RCVR40208		CROSS 3/8 M/F/F/F NIK.	1,00			--
0018	RCVR02607		REDUCTION 3/8-1/4 M/F	1,00			--
0019	RCVR09058		CAP 1/4 M EI D. 8 NK.	1,00			--
0020	RCVR03760		REDUCTION 3/8-1/8 M/F	2,00			--
0021	VVSF43615		VALVE 1/8M-F OT. VIT. 250°C	1,00			--
0022	RCVR14044		CONNECTOR L 1/8" M C5 D. 6/ 4 NIK	1,00			--
0023	RCVR76285		TEE UNION 3/8 GAS (2070)	1,00			--
0024	RCVR26497		CONNECTOR L 1/8" M C5 D. 6/ 8 NIK	1,00			--
0025	RCDS00611		NIPPLE 1/2 - 3/8 SV	1,00			--
0026	TBBP11756		L.P. HOSE D. 4- 6 RILSAN NTR	0,24			--
0027	TBBP15347		L.P. HOSE D. 6- 8 RILSAN NT.	0,64			--
0028	TBBP40141		L.P. HOSE L=700 1/2F 0- 1/2F 0°	1,00			--
0029	MPVR40260		CONTAINER UPS FILTER	1,00			--
0030	RCVR40116		ELBOW 1/2" M/F A10	1,00			--
0031	RCDS00602		NIPPLE 3/4 - 1/2 CN D.13.5	1,00			--
0031	RCVR40209		CONNECTOR 3/4 M/F 3PZ. OT.	1,00			--
0032	RCDS87610		NIPPLE 3/4 - 1/2 CB D.13.0	1,00			--
0033	RCGR40018		TAP A SF.G3/4" F 3VIE LV.	1,00			--
0034	RCDS40288		CONNECTOR G 3/4M -3/4M D.15 C.30 OT	1,00			--
0035	VTRS11876		WASHER D.27 X34 X1,5 (3/4)COPPER	2,00			--
0036	RCDS40575		RING NUT G3/4 OT	1,00			--
0037	TBBP40143		L.P. HOSE L=490 3/4F90° -3/4F90°	1,00			--
0038	FTAC40020		FILTER AC. DLSW 10" 100 MCR	1,00			--
0039	RCVR29602		CONNECTOR D. 1/2"-5/8" PTC	1,00			--
0040	RCVR29600		SOCKET PTC 3/4 F	1,00			--
0041	RCDS87610		NIPPLE 3/4 - 1/2 CB D.13.0	2,00			--
0042	RCVR02585		SLEEVE 1/2 F A3	1,00			--
0043	RCDS87610		NIPPLE 3/4 - 1/2 CB D.13.0	1,00			--



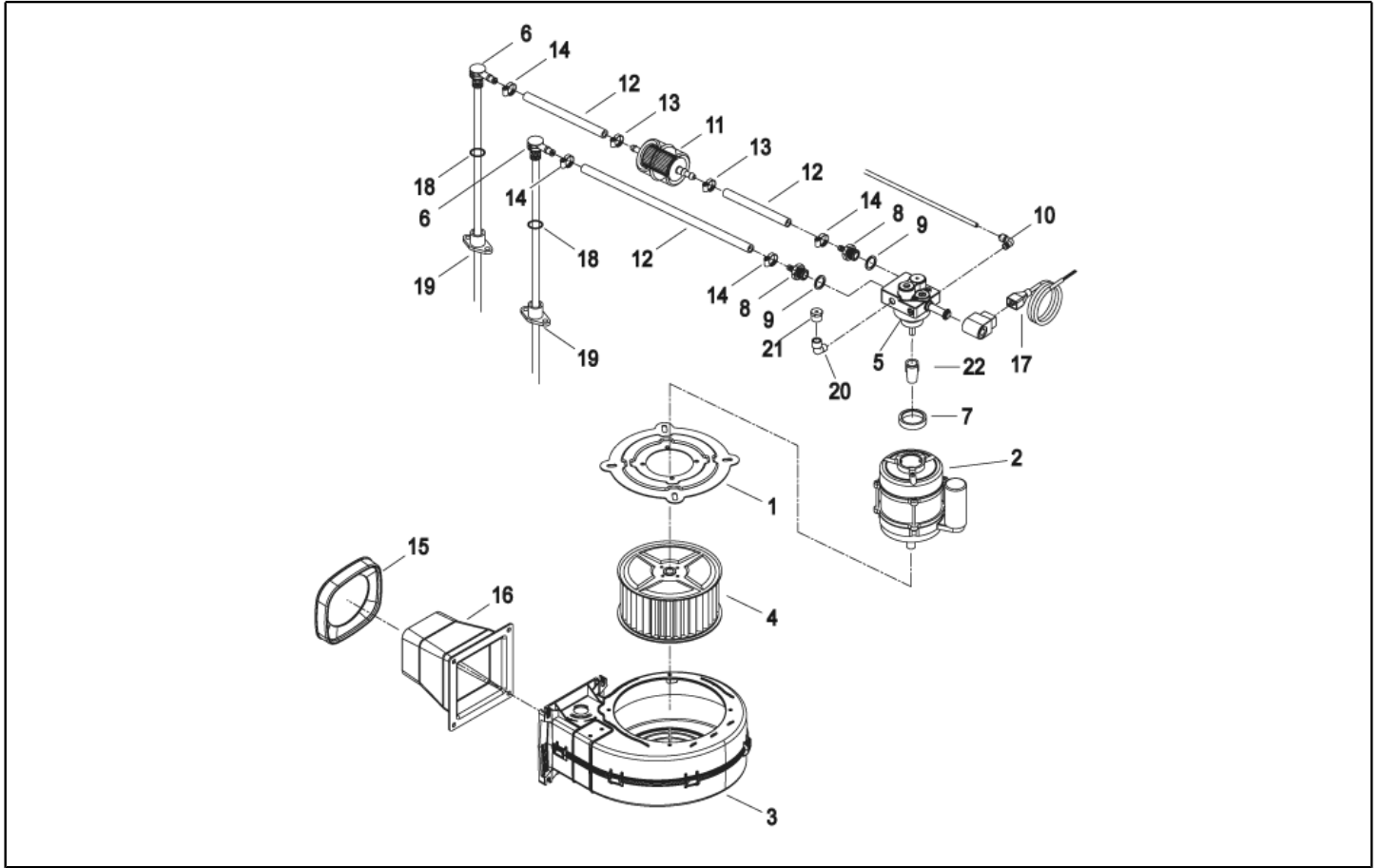
Ref. K	Part n.	Part n. 2	Description	Quantity	Validity		Price
					From	To	
0044	TBBP40142		L.P. HOSE L=550 3/4F90° -3/4F90°	1,00			--
0046	MPVR40705		WATER TANK PW-H28 PEHD NT.	1,00			--
0047	LAFN40732		PANEL PW-H28 INX	1,00			--
0048	MPVR40995		TANK COVER P190-GJ PA6 BL.	1,00			--
0049	RCGR40022		FLOATER MTM 3/4 PP. S/F. +ADP.100	1,00			--
0050	RCVR49974		RING NUT 3/4" X 4 NIK	1,00			--
0051	MPVR89078		PLATE P190 PA6 BL.	2,00			--
0052	TBBP40105		L.P. HOSE D.12-17 CRISTALL	0,08			--
0053	MPVR40990		TANK PW-H28 PEHD NT. 2V.	1,00			--
0054	RCVR89548		HOSE FITTING "L" 1/8M D.7 OT.NK	1,00			--
0055	FSVR11957		CLAMP D. 9,5-12 CLIC	1,00			--
0056	TBBP93804		L.P. HOSE D. 6- 9	0,55			--
0057	FSVR72803		CLAMP D 9.3 - 9.9	1,00			--
0058	MEPD40000		DESCALING PUMP EX4 24V 50/60HZ	1,00			--
0059	VTRS15369		WASHER D.10 X14X1 1/8	1,00			--
0060	RCVR14043		CONNECTOR DTT 1/8"M C1 D. 6/ 4 NIK	1,00			--
0061	RCIN26800		CONNECTOR DTT 1/4"F C2 D. 6/ 8 NIK	1,00			--
0062	VTRS04931		WASHER COPPER D.13X19X1.5	1,00			--
0063	RCDS08963		NIPPLE 1/4 - 1/4 FUT	1,00			--
0064	RCGR40019		TAP G1/4"FF R851X L.T.RED	1,00			--
0065	RCVR00573		ELBOW 1/4" M/F A10	1,00			--
0066	ACID40000		ACCUMULATOR STY. G1/2" 3.5 Max 16Bar	1,00			--
0067	RCDS49875		RING NUT 1/2"X 6 CH.27 OT.	1,00			--
0068	VTRS00549		WASHER D.21,5X27X1.5 (1/2) RM	2,00			--
0069	RCVR00670		TEE UNION 1/2 F/F/F	1,00			--
0070	RCVR02606		REDUCTION 1/2-1/4 M/F	1,00			--
0071	RCVR02596		SLEEVE 1/4 M/F A5	1,00			--
0072	RCDS00611		NIPPLE 1/2 - 3/8 SV	1,00			--
0073	TBAP40231		HOSE-FITTING 3/ 8 R1 L=355 0- 0° 3/8F	1,00			--
0074	RCVR00563		SWIVEL RACCORD 3/8 M/F	1,00			--
0075	RCVR76285		TEE UNION 3/8 GAS (2070)	1,00			--
0076	VVSF44212		VALVE N/RT 3/8 F/F A1.303	1,00			--
0077	RCVR00574		ELBOW 3/8" M/F A10	1,00			--
0078	RCVR02607		REDUCTION 3/8-1/4 M/F	1,00			--
0079	RCVR72830		CONNECTOR T-1/4M 1/4F 1/4F-2070	2,00			--
0080	RCVR00562		SWIVEL RACCORD 1/4 M/F	1,00			--
0081	RCVR02596		SLEEVE 1/4 M/F A5	1,00			--
0082	RCVR40129		NIPPLE 1/2 - 3/8 CONICO D.15	1,00			--
0083	RCDS00608		NIPPLE 3/8 - 1/4 SV	1,00			--
0084	VVSC40024		VALVE AIRT G 1/4M 10B. INX/VIT.	1,00			--
0085	FSVR40022		CLAMP D. 10 CLIC 100	1,00			--
0086	TBBP00051		DETERGENT HOSE D. 6-12	0,90			--
0087	RCVR00563		SWIVEL RACCORD 3/8 M/F	1,00			--
0088	VTRS00548		WASHER D.17,5X23X1,5 (3/8)RM	2,00			--



Ref. K	Part n.	Part n. 2	Description	Quantity	Validity		Price
					From	To	
0089	RCDS39897		BLOCK 3VIE 3/8 F/F 1/2F	1,00			--
0090	RCDS01091		CAP 1/2X10 M	1,00			--
0091	RCDS40296		CONNECTOR G 3/8F -1/4 -P/NTC +M4 30	1,00			--
0092	RCDS40294		CONNECTOR G 3/8F -1/4 +d.15 TH C.25	1,00			--
0093	LAFN40832		PLUG "U" SIST.NTC PW-H INX	1,00			--
0093	LAFN40832		PLUG "U" SIST.NTC PW-H INX	1,00			--
0094	RCDS21118		CONNECTOR KSM	1,00			--
0095	RCDS21119		NUT KSM	1,00			--
0096	RCDS40211		SUMP PW-H28 D.15 OT.	1,00			--
0097	VTRS00548		WASHER D.17,5X23X1,5 (3/8)RM	1,00			--
0098	RCDS00610		NIPPLE 3/8 - 3/8 SV	1,00			--
0099	TBAP40232		HOSE-FITTING 3/ 8 R1 L=270 3/8F -3/8F	1,00			--
0100	TBAP40233		HOSE-FITTING 5/16 R1 L=540 3/8F -3/8M	1,00			--
0101	RCVR62626		SLEEVE 3/8 M/F L=30.5	1,00			--
0102	RCIN09348		MALE COUPLING 3/8MA L=32	1,00			--
0103	MPVR40756		TANK CAP KSM C/F.	1,00			--
0104	VTRS00549		WASHER D.21,5X27X1,5 (1/2) RM	1,00			--
0105	GUVR40089		ANTI-EXTR.RING D. 6.6X11.9X1.5 PTFE	1,00			--
0106	GUGO27030		O-RING D. 6 X 3 VIT 70SH	1,00			--
0107	RCDS72858		CONNECTOR VELOX 3/4"M	1,00			--
0108	RCVR40037		HOSE FITTING A.RP. - D.19 OTT.	1,00			--
0109	VTRS00549		WASHER D.21,5X27X1,5 (1/2) RM	2,00			--

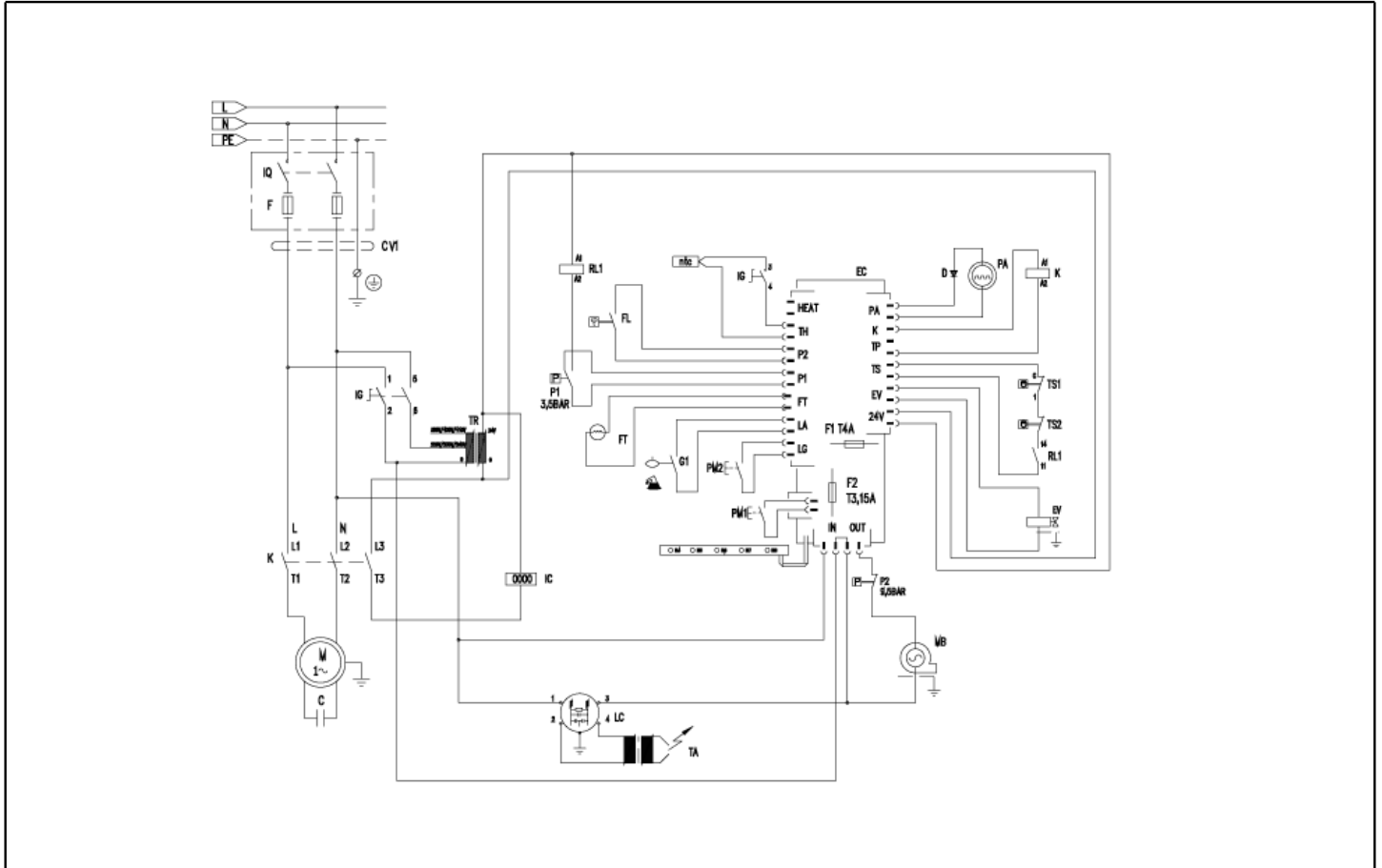


Ref. K	Part n.	Part n. 2	Description	Quantity	Validity		Price
					From	To	
0001	MPVR40013		CONVEYOR P176-FBX PA6 BK.	1,00			--
0002	GUGO21222		O-RING D. 15.54 X 2.62 VIT 80SH	2,00			--
0003	GUVR21021		ANTI-EXTR.RING D. 21 X17 TEF.	2,00			--
0004	LAFN44149		BOILER BOTTOM P176	1,00			--
0005	ITTE44175		BOTTOM P176 C.TE	1,00			--
0006	LAFN44151		BAND P176 INX	1,00			--
0007	LAFN40037		RING D.342 P176 ZN 2V.CPL.	1,00			--
0008	LAGR48101		DOUBLE COIL M26X1.5 P176 30MT. SP.2.6	1,00			--
0009	LASL40101		INT. CYLINDER PM INX	1,00			--
0010	LAFN40468		EXT. CYLINDER PM-AUP INX	1,00			--
0011	LAFN40757		BOILER COVER SI PM-H100.30 INX	1,00			--
0012	LAFN40270		BOILER COVER SE PM INX	1,00			--
0013	LAFN44244		BAFFLE P176 30M INX	1,00			--
0014	LAFN40271		PIN CH.10 X 67.7 M5M/M5M PM	3,00			--
0015	MFVR18226		ELECTR.HOLDER FUT 3°V	1,00			--
0016	LAFN07641		PLATE INX	1,00			--
0017	MECA12525		ELECTRODE FUT	1,00			--
0018	UGBR40000		BURNER NOZZLE 1.50 60 S LE	1,00			--
0019	RCDS07642		NOZZLE HOLDER FUT	1,00			--
0020	MPVR18228		OIL WARN-LIGHT D.17 X3	1,00			--
0021	GUGO40061		GASKET D. 10- 18 X 1 NBR	1,00			--
0022	RCVR08954		ELBOW 1/8"-4 B5	1,00			--
0023	MECB34463		CABLE BT L=800 SP. FD	1,00			--
0024	MECV35335		CABLE A.T. 9,8-23KOHMM L= 500P	2,00			--
0025	TBCO40076		DIESEL HOSE GREEN JT. D. 4 IX	1,00			--
0026	LAFN40734		SUPPORT PW-H35 BK.	1,00	01/12/2019		--
0026	LAFN40734		SUPPORT PW-H35 BK.	1,00		31/01/2019	--
0026	LAFN41123		SUPPORT PW-H 2V. BK.	1,00	01/02/2019	30/11/2019	--
0027	RCVR40156		SLEEVE 1/8 M/F L= 23 OT.NK	1,00			--



Ref. K	Part n.	Part n. 2	Description	Quantity	Validity		Price
					From	To	
0001	LAFN10272		MOTOR PLATE CB 3	1,00			--
0002	MOMB40009		BURNER MOTOR 230-50 IPX5 180W AO/C	1,00			--
0003	MPVR40665		SCROLL CB4 -2PZ.GR.	1,00			--
0004	VEVR34275		IMPELLER D.160-80 D.12.7 36P B.SX	1,00			--
0005	PPGS40005		FUEL PUMP DNF BFA 01L3R2	1,00			--
0006	RCDS11454		SUCTION L= 255 C	2,00			--
0007	GUGO40062		GASKET PW-H100 MOT.BR.	1,00			--
0008	RCDS00626		HOSE FITTING 1/4 M D. 5- 7	2,00			--
0009	VTRS04931		WASHER COPPER D.13X19X1.5	2,00			--
0010	RCVR08954		ELBOW 1/8"-4 B5	1,00			--
0011	FTCO40004		FUEL FILTER FB 7/T 60mc NYL.	1,00			--
0012	TBCO06945		L.P. HOSE D. 6-12 10BAR C.PRESS	0,85			--
0012	TBCO06945		L.P. HOSE D. 6-12 10BAR C.PRESS	0,16			--
0012	TBCO06945		L.P. HOSE D. 6-12 10BAR C.PRESS	0,98			--
0013	FSVR11197		CLAMP D.12.9-13.6	2,00			--
0014	FSVR00427		CLAMP D. 12 CLIC 66-110	2,00			--
0015	GUGO20124		GASKET KSM	1,00			--
0016	MPVR40014		CONVEYOR CB4-FBX PA6	1,00			--
0017	MECB43707		CABLE DNF L=1300	1,00			--
0018	GUGO19194		O-RING D. 11.11 X 1.78 NBR 70SH	2,00			--
0019	RCDS11455		FUEL SUCT. SUPP FLL	2,00			--
0020	RCVR34780		ELBOW 1/8" M/F A10	1,00			--
0021	RCVR89230		CAP G 1/8 M C/O-RING.	1,00			--
0022	FGGT36513		JOINT HP 0.25 AACO	1,00		28/02/2019	--





Ref. K	Part n.	Part n. 2	Description	Quantity	Validity		Price
					From	To	
K	METT40008		CONTACTOR SIE 3RT 2016-1AB01 24V	1,00			--
EV	MEBE43704		COIL DNF 24-50	1,00			--
FL	MEPF40051		FLOW SWITCH FS-26 3/8" M 2.0L/M OT.	1,00			--
FT	MECF40005		PHOTOELET.CELL LDS 057H7103 C/CNN.	1,00		31/01/2019	--
FT	MECF40007		PHOTOELET.CELL LDS 057H7292 3pz. C/CNN.	1,00	01/02/2019	30/11/2019	--
FT	MECF40008		PHOTOELET.CELL FT13/R MM1000 W	1,00	01/12/2019		--
G2	MECI40054		SWITCH REED N.C.H241 L=1100	1,00			--
IG	MECI40043		COMMUTAT.SWITCH BRM 0-1-2 BIP.12A +M.C12	1,00			--
LC	MECE40086		FILTER LC FAST.6.3 250V 1.6A	1,00			--
P1	MEPF40049		PRESSURE SWITCH GP400 1/4M 3.5BAR	1,00			--
P2	MEPF40050		PRESSURE SWITCH GP400 1/4M 9.5BAR	1,00			--
RL	MERL40007		SWITCH RELAY FIND 40.31 1SC.10A 24VAC	1,00			--
RL	MEVR40248		BASE FINDER 95.P3.spa	1,00			--
TA	METR88630		TRANSFORMER 23/240V-5/60HZ 2X26KV TR.	1,00			--
TR	METR41580		TRANSFORMER 50VA 400-230/50V	1,00			--
CV1	MECB27734		CABLE H07 RNF 3X1.5 L=6.500	1,00			--
EC1	MECE40084		PCB GREEN.JT. T-SI/CO	1,00			--
EC2	MECE40041		PCB LED PW 4/5 GR. FLT.	1,00			--
NTC	MEVR40150		PROBE NTC/150 IP65 C.1000	1,00			--
TS1	METK40022		THERMOSTAT 50°C NT-413 T85 C.1.5	1,00			--
TS2	METK40021		THERMOSTAT 110°C TK24-T02 16A 250V	1,00			--
PR/M	MECI40041		SWITCH IDS P9-2B F-(0) /RO 3A	2,00			--
0000	MESB40007		HOUR-COUNTER 24V. S.700 TN 001 IP65	1,00			--